

ACCESSORIES AND SPARE PARTS FOR CONNECTION HEADS

WALL-MOUNTING BRACKET type W1

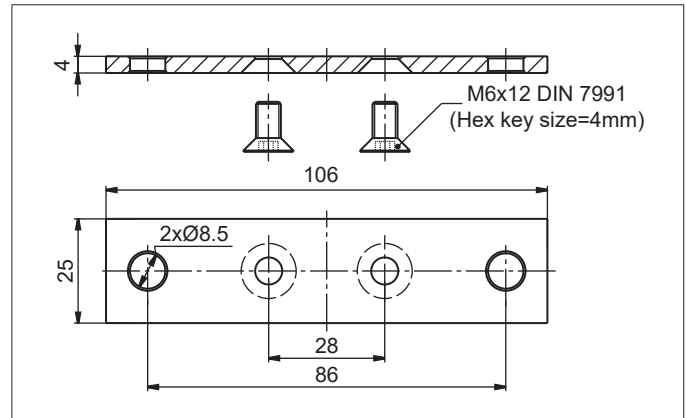
Destination:

Transmitter Housing - type: DANAF..., DANDF...

Material:

zinc-plated carbon steel (ST) or stainless steel (N)

Ordering: Wall-mounting bracket
type W1-ST or W1-N



WALL-MOUNTING BRACKET type W2

Destination:

Transmitter Housing - type: XD-ADF...

Material:

zinc-plated carbon steel (ST) or stainless steel (N)

Ordering: Wall-mounting bracket
type W2-ST or W2-N

