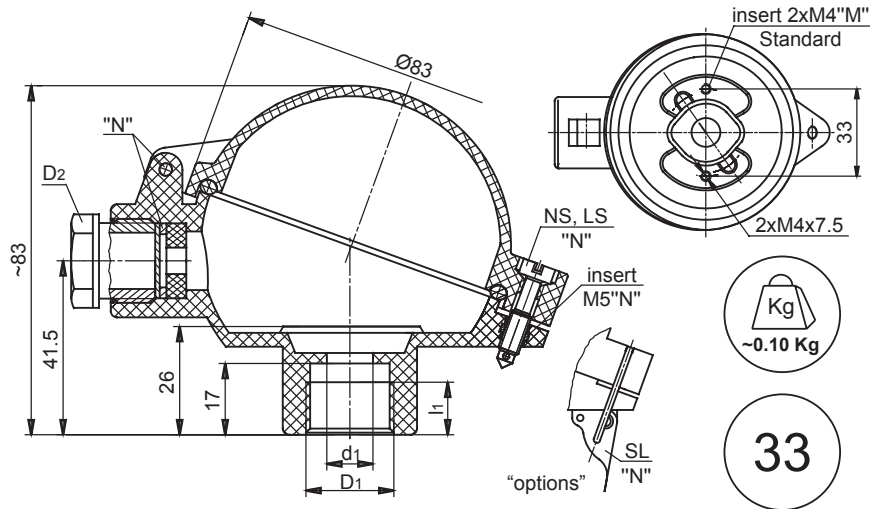


CONNECTION HEAD - type XI-DSN



II 1G Ex ia IIC Ga
FTZU 12 ATEX 0202U



EX HEADS

06

(1)	XI-DSN	ORDERING CODE	SPECIFICATION		
(2)	Material of elements	3	Metal parts - stainless steel; seals-oil resistant rubber (-40...100°C)		
		4	Metal parts - stainless steel; seals - silicone rubber (-40...100°C)		
(2)	Material of body, cover and press cap	PAV	Polyamide PA12 antistatic		
(3)	Cable gland thread	M2	M20x1.5		
		G2	G½		
		N2	½NPT (empty thread only)		
		P1	Pg16		
(4)	Type of cable gland seal	A	Without notches		
		B	With notches		
		X	No gland, threaded hole only		
(5)	Type of process thread D ₁ /d ₁		D₁ [ø]	d₁ [ø]	l₁
		1	M20x1.5	Ø11	17
		2	M24x1.5	Ø11	17
		3	G½	Ø11	17
	4	½NPT	-	19,5	
(7)	Cover closure	NS	Screws without leaden seal holes		
		LS	Screws with leaden seal holes		
		SL	Snap lock		

Main features:

- material of body, cover and press cap:
- PAV - polyamide PA12 antistatic - black
- inside insert nut - brass
- link of snap lock - nickel-plated springing steel
- service temperature:
T_{serv} = -40 to 100°C oil-proof rubber
T_{serv} = -40 to 100°C silicone rubber
- maximum space for transmitter: Ø45x40mm

Ordering example:

(1) (2) (2) (3) (4) (5) (7)
XI-DSN 3 - PAV - M2 A - 2 - NS