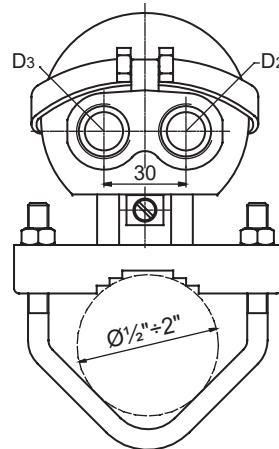
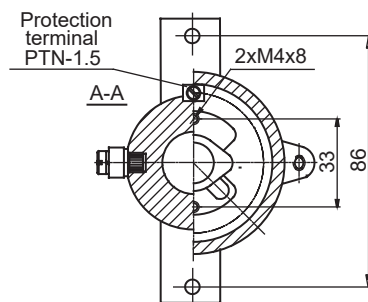
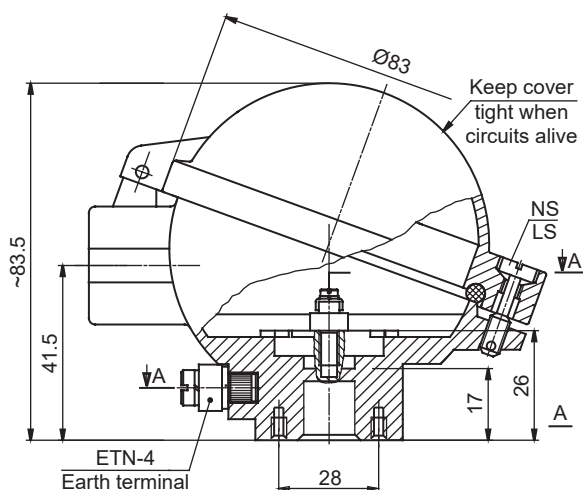


# CONNECTION HEAD - type XE-DANDF



pipe mounted  
bracketed  
ST zinc-plated  
"P1" - Ø1/2" to 1"  
"P2" - Ø1 1/2" to 2"

The product is available only without a certificate.  
The certificate expired on April 16, 2023



HEADS

06

| (1)  | XE-DANDF                                            | ORDERING CODE | SPECIFICATION                                                                 |
|------|-----------------------------------------------------|---------------|-------------------------------------------------------------------------------|
| (2)  | Material of elements                                | 3             | other metal parts - stainless steel; seals-oil resistant rubber (-40...100°C) |
| (3)  | Cable gland thread                                  | M2<br>N2      | M20x1.5<br>1/2NPT (empty thread only)                                         |
| (7)  | Cover closure                                       | NS            | Screws without leaden seal holes                                              |
|      |                                                     | LS            | Screws with leaden seal holes                                                 |
| (8)  | Paint type                                          | P             | Polyester                                                                     |
|      |                                                     | E             | Epoxy                                                                         |
|      |                                                     | C             | Creodur - Rafil                                                               |
|      |                                                     | SE            | Spray epoxy                                                                   |
|      |                                                     | SPU           | Spray polyurethane on (SE) layer                                              |
| (9)  | Paint colour                                        | al            | alu natural colour (only Creodur - Rafil)                                     |
|      |                                                     | yc            | RAL 1007 daffodil yellow                                                      |
|      |                                                     | ys            | RAL 1003 signal yellow                                                        |
|      |                                                     | bs            | RAL 5005 signal blue                                                          |
|      |                                                     | sb            | RAL 5015 sky blue                                                             |
|      |                                                     | sg            | RAL 7032 pebble grey                                                          |
|      |                                                     | gr            | RAL 7035 light grey                                                           |
|      |                                                     | ag            | RAL 9002 grey white                                                           |
|      |                                                     | sh            | RAL 9006 white aluminium                                                      |
|      |                                                     | gs            | RAL 9007 grey aluminium                                                       |
|      |                                                     | cw            | RAL 9010 pure white                                                           |
| wa   | white aluminium (substitute of Cal, only Polyester) |               |                                                                               |
| (10) | Bracket type                                        | W             | Fixing on a wall                                                              |
|      |                                                     | P             | Fixing on a pipe                                                              |
|      |                                                     | X             | Without bracket                                                               |

## Main features:

- material of body and cover - aluminium pressure die-castings, max 0.5%Mg
- service temperature:  $T_{serv} = -40 \div 100^{\circ}\text{C}$
- maximum space for transmitter:  $\text{Ø}45 \times 40\text{mm}$

## Ordering example:

(1) (2) (3) (7) (8) (9) (10)  
XE-DANDF 3 - M2 - NS - P sh + W