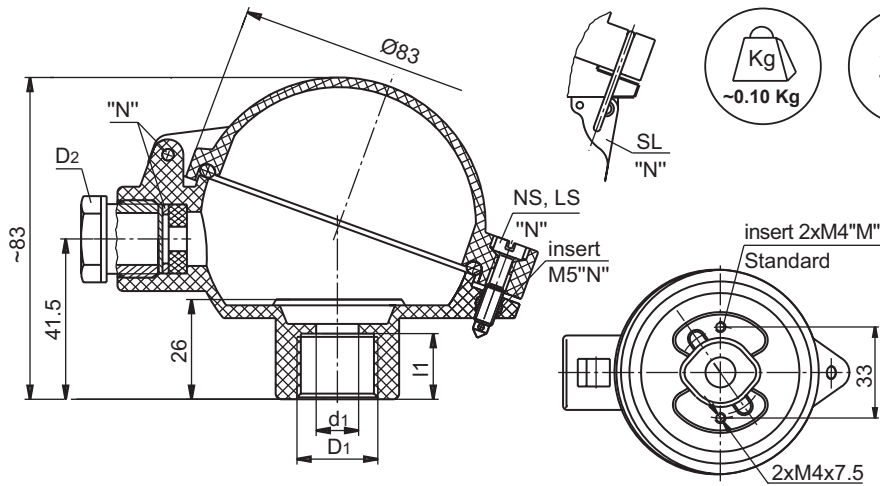


# CONNECTION HEAD - type DSN



PLASTIC HEADS

02

(1)	DSN	ORDERING CODE	SPECIFICATION
(2)	Material of elements	3	Metal parts - stainless steel; seals-oil resistant rubber
		4	Metal parts - stainless steel; seals - silicone rubber
(2)	Material of body and cover	PA	Polyamide
		PP	Polypropylene
		PPO	Phenyl polioxide
(3)	Cable gland thread D <sub>2</sub>	M2	M20x1.5
		G2	G½
		N2	½NPT (empty thread only)
		P1	Pg16
(4)	Type of cable gland seal	A	Without notches
		B	With notches
		X	No gland, threaded hole only
(5)	Type of process thread D <sub>1</sub> /d <sub>1</sub>	1	M20x1.5    Ø11    l <sub>1</sub>
		2	M24x1.5    Ø11    l <sub>1</sub>
		3	G½    Ø11    l <sub>1</sub>
		4	½NPT    Ø11    l <sub>1</sub>
(7)	Cover closure	NS	Screws without leaden seal holes
		LS	Screws with leaden seal holes
		SL	Snap lock

### Main features:

- material of body, cover and press cap:
- PA - glass reinforced polyamide - blue, black (80°C)
- PP - polypropylene - white, black (92°C)
- PPO - phenyl polioxide - black (130°C)
- cable gland washer - stainless steel
- link of snap lock - nickel - plated springing steel
- inside insert nut - brass
- maximum space for transmitter: Ø45x40mm

### Ordering example:

(1) (2) (2) (3) (4) (5) (7)  
 DSN 3 - PA - M2 A - 2 - NS