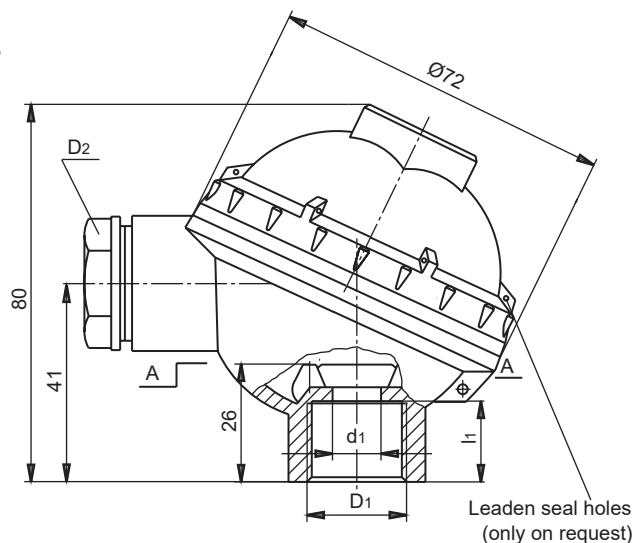
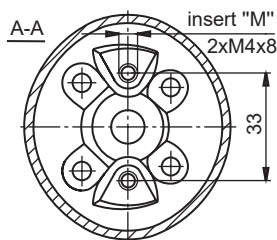


CONNECTION HEAD - type NS

PLASTIC HEADS
02



(1)	NS	ORDERING CODE	SPECIFICATION		
(2)	Material of elements	PA	All plastic parts - polyamide; seals-oil resistant rubber		
		PP	All plastic parts - polypropylene; seals-oil resistant rubber		
		PPO	All plastic parts - phenyl polioxide; seals - silicone rubber		
		PAV	All plastic parts - polyamide PA12 antistatic; seals-oil resistant rubber		
(3)	Cable gland thread D ₂	M2	M20x1.5		
		G2	G½		
		N2	½NPT		
		P1	Pg16		
(4)	Type of cable gland seal	A	Without notches		
		B	With notches		
		X	No gland, threaded hole only		
(5)	Type of process thread D ₁ /d ₁		D₁[ø]	d₁[ø]	l₁
		1	M20x1.5	Ø11	17
		2	M24x1.5	Ø11	17
		3	G½	Ø11	17
		4	½NPT	Ø11	17
		5	M24x1	Ø11	17
6	M12x1	Ø11	17		

Main features:

- material of body, cover and press cap:
- PA - glass reinforced polyamide - blue (80°C)
- PP - polypropylene - white (92°C)
- PPO - phenyl polioxide - black (130°C)
- PAV - polyamide PA12 antistatic - black
- service temperature:
T_{serv} = -40 to 100°C oil-proof rubber
T_{serv} = -40 to 120°C silicone rubber
- cable gland washer - stainless steel
- inside insert nut - brass
- maximum space for transmitter: Ø42x14mm

Ordering example:

(1) (2) (3) (4) (5)
NS - PA - M2 A - 2