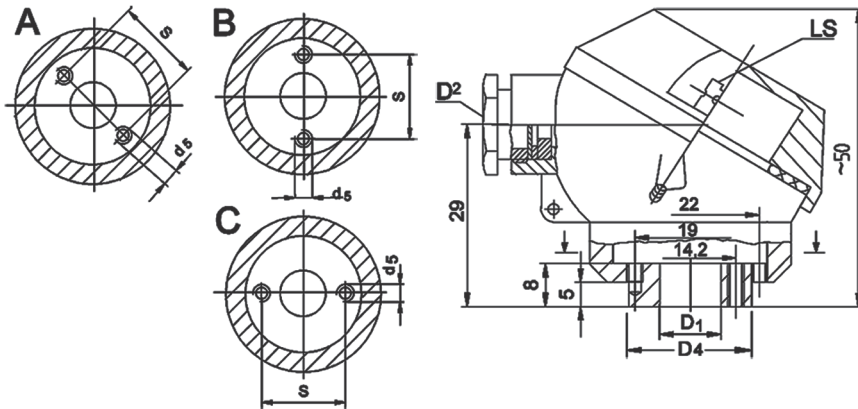


CONNECTION HEAD - type MA version I



STANDARD ALUMINIUM HEADS

01



(1)	MA	ORDERING CODE	SPECIFICATION		
(2)	Material of elements	1	Metal parts - nickel plated brass; seals - oil resistant rubber (-40...100°C)		
		2	Metal parts - nickel plated brass; seals - silicone rubber (-40...150°C)		
		3	Cable gland - nickel plated brass; other metal parts - stainless steel; seals - oil resistant rubber (-40...100°C)		
		4	Cable gland - nickel - plated brass; other metal parts - stainless steel; seals - silicone rubber (-40...150°C)		
(3)	Cable gland thread D ₂	M1	M16x1.5		
		N1	1/4NPT (empty thread only)		
		PO	Pg9		
(4)	Type of cable gland seal	A	Without notches		
		B	With notches		
		X	No gland, threaded hole only		
(5)	Type of process thread D ₁ /d ₁		D₁ D₄ [mm] d₅ S		
		1	Ø11,3 Ø20,5 M2,5 14.2/A		
		2	Ø11,3 Ø20,5 M2,5 22/C		
		3	M8 Ø20,5 M2,5 19/B		
		4	M10x1 Ø20,5 M2,5 14.2/A		
		5	M10x1 Ø20,5 M2,5 14.2/B		
		6	M10x1 Ø20,5 M2,5x4,5 19/A		
		7	M10x1 Ø20,5 M2,5x4,5 19/B		
		8	M10x1 Ø20,5 M2,5x4,5 19/C		
		9	M10x1 Ø20,5 M2,5x4,5 20/B		
		10	M10x1 Ø20,5 M2,5x4,5 22/A		
		11	M10x1 Ø20,5 M2,5x4,5 22/C		
		12	M12x1 Ø20,5 M2,5x4,5 19/A		
		13	M12x1 Ø20,5 M2,5x4,5 20/B		
		14	G1/8 Ø20,5 M2,5 14.2/A		
		15	G1/8 Ø20,5 M2,5x4,5 19/C		
		16	G1/8 Ø20,5 M2,5x4,5 20/B		
		17	G1/4 Ø20,5 M2,5x4,5 19/A		
		18	G1/4 Ø20,5 M2,5x4,5 20/B		
		19	1/8NPT Ø20,5 M2,5 14.2/A		
		20	1/8NPT Ø20,5 M2,5x4,5 20/B		
		21	1/4NPT Ø20,5 M2,5x4,5 20/B		
		30	M10x1 Ø16 M2,5 19/B		
		31	G1/8 Ø16 M2,5 19/C		
		(6)	Side screw	x	No side screw
		(8)	Paint type	P	Polyester (~70 µm)
				E	Epoxy (~70 µm)
				C	Creodur - Rafil (~30 µm)
		(9)	Paint colour	al	alu natural colour (only Creodur - Rafil)
				yc	RAL 1007 daffodil yellow
				ys	RAL 1003 signal yellow
bs	RAL 5005 signal blue				
sb	RAL 5015 sky blue				
sg	RAL 7032 pebble grey				
gr	RAL 7035 light grey				
ag	RAL 9002 grey white				
sh	RAL 9006 white aluminium				
gs	RAL 9007 grey aluminium				
cw	RAL 9010 pure white				
wa	white aluminium (substitute of Cal, only Polyester)				

Main features:

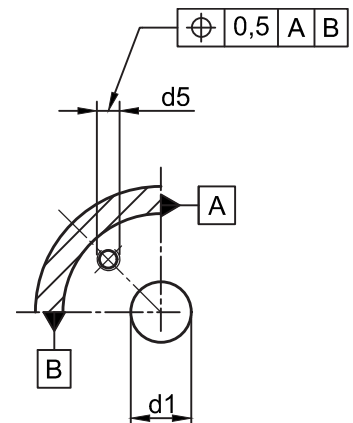
- material of body and cover - aluminium pressure die-castings
- cable gland washer - zinc plated press steel
- temperature range: -40÷100°C - oil-proof rubber -40÷150°C - silicone rubber
- maximum space for transmitter: Ø25x20mm

Ordering example:

(1) (2) (3) (4) (5) (6) (8) (9)
MA 1 M1 - A 17 x - P sh

Please mark in the order if springing loaded terminal blocks or springing disk will be installed inside the connection head.

Position tolerance



Concerns every threaded d5 hole in each configuration (A, B, C)

Position of the mounting holes d5 are matched to our fixing kits and M-type terminal blocks. Any other tolerances available on customer request.