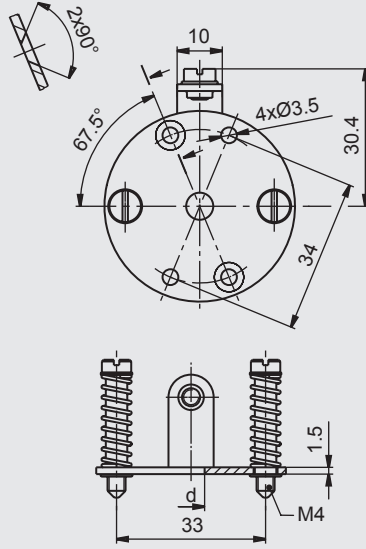
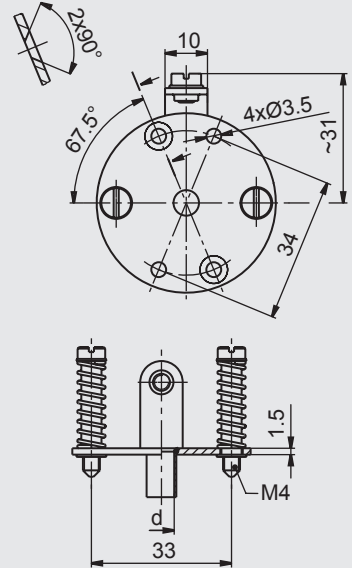


SPRINGING DISK with GROUNDING BRACKET

SPRINGING DISK WITH GROUNDING BRACKET - TYPE „B”



TYPE: BSDG4-D



TYPE: BSDGB4-D

D [mm]	Ø3, Ø4.5, Ø6, Ø8	
SPECIFICATION		
Screw	Stainless steel	
Spring	Zinc - plated spring steel	
Distance bush	Nickel - plated brass	
Disk	Stainless steel	
ORDERING		
Ordering	Springing disk BSDG4- d	Bush springing disk BSDGB4 - d
Ordering example	Springing disk BSDG4 - Ø3	Bush springing disk BSDGB4 - Ø3