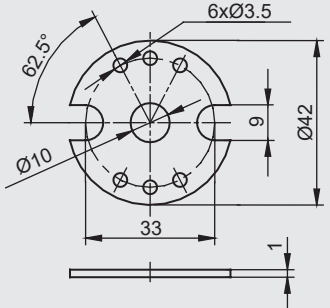
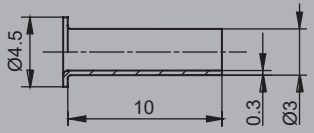
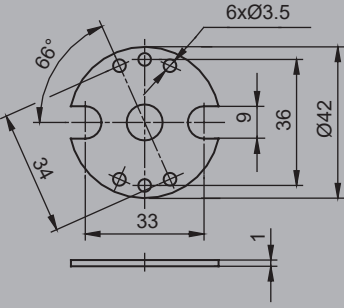
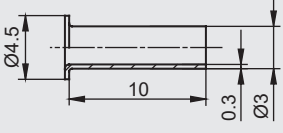
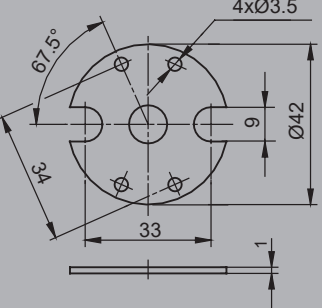
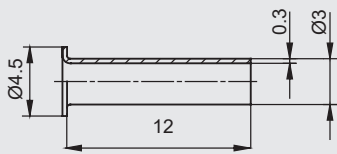


## ACCESSORIES FOR TERMINAL BLOCK FIXING DIRECTLY TO THE CONNECTION HEAD

DRAFT [mm]	DRAWING No. OR STANDARD	NUMBER OF PIECES	DESCRIPTION
<b>FIXING KIT KBF - 2</b>			
	4 - L0277	1	Washer made of insulation material
	DIN 7340A	2	Nickel - plated brass rivet
<b>FIXING KIT KBF - 3</b>			
	4 - L1629	1	Washer made of insulation material
	DIN 7340A	2	Nickel - plated brass rivet
<b>FIXING KIT KBF - 4</b>			
	4 - L1812	1	Washer made of isolation material
	DIN 7340A	2	Nickel - plated brass rivet