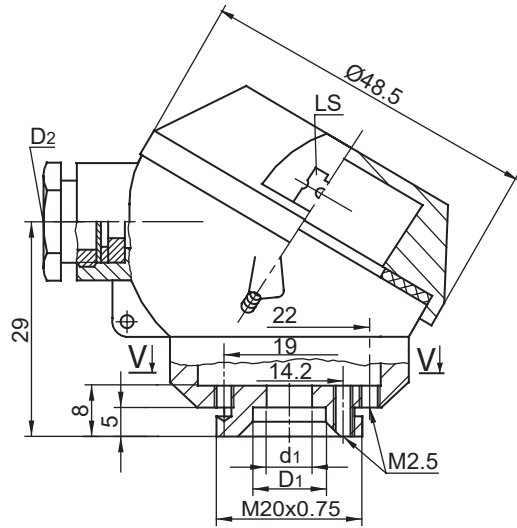


# CONNECTION HEAD - type MAA version II

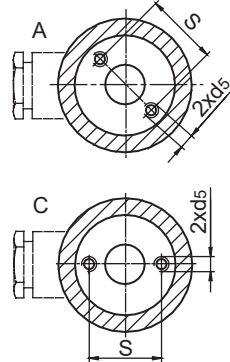


STANDARD ALUMINIUM HEADS

01



Mounting screw patterns



(1) MAA	ORDERING CODE	SPECIFICATION
(2) Material of elements	1	Metal parts - nickel - plated brass; seals-oil resistant rubber (-40...100°C)
	2	Metal parts - nickel plated brass; seals - silicone rubber (-40...150°C)
	3	Cable gland - nickel - plated brass; other metal parts - stainless steel; seals-oil resistant rubber (-40...100°C)
	4	Cable gland - nickel - plated brass; other metal parts - stainless steel; seals - silicone rubber (-40...150°C)
(3) Cable gland thread D <sub>2</sub>	M1	M16x1.5
	N1	1/4NPT
	P0	Pg9
(4) Type of cable gland seal	A	Without notches
	B	With notches
	X	No gland, threaded hole only
(5) Type of process thread D <sub>1</sub> /d <sub>1</sub>	22 STANDARD	D <sub>1</sub> [Ø] Ø9, d <sub>1</sub> [Ø] Ø7, d <sub>5</sub> [Ø] M2.5, S 14.2/C
	23 STANDARD	D <sub>1</sub> [Ø] Ø9, d <sub>1</sub> [Ø] Ø7, d <sub>5</sub> [Ø] M2.5, S 19/C
	24 STANDARD	D <sub>1</sub> [Ø] Ø9, d <sub>1</sub> [Ø] Ø7, d <sub>5</sub> [Ø] M2.5, S 22/C
	25 STANDARD	D <sub>1</sub> [Ø] Ø9, d <sub>1</sub> [Ø] Ø9, d <sub>5</sub> [Ø] M2.5, S 14.2/C
	26 *	D <sub>1</sub> [Ø] M10x1, d <sub>1</sub> [Ø] -, d <sub>5</sub> [Ø] M2.5, S 14.2/A
(6) Side screw	x	No side screw
(8) Paint type	P	Polyester
	E	Epoxy
	C	Creodur - Rafil
(9) Paint colour	al	alu natural colour (only Creodur - Rafil)
	yc	RAL 1007 daffodil yellow
	ys	RAL 1003 signal yellow
	bs	RAL 5005 signal blue
	sb	RAL 5015 sky blue
	sg	RAL 7032 pebble grey
	gr	RAL 7035 light grey
	ag	RAL 9002 grey white
	sh	RAL 9006 white aluminium
	gs	RAL 9007 grey aluminium
	cw	RAL 9010 pure white
	wa	white aluminium (substitute of Cal, only Polyester)

## Main features:

- material of body and cover - aluminium pressure die-castings
- cable gland washer - zinc-plated press steel
- temperature range: -40÷100°C - oil-proof rubber, -40÷150°C - silicone rubber
- maximum space for transmitter: Ø25x20mm

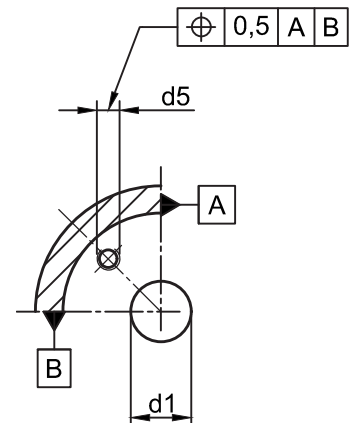
## Ordering example:

(1) (2) (3) (4) (5) (6) (8) (9)  
**MAA 1 - M1 A - 22 x P sh**

Please mark in the order if springing loaded terminal blocks or springing disk will be installed inside the connection head.

\* Non-standard execution on special demand Applied higher prices, possibility of increased minimum order quantity and extended production time.

## Position tolerance



Concerns every threaded d5 hole in each configuration (A, B, C)

Position of the mounting holes d5 are matched to our fixing kits and M-type terminal blocks. Any other tolerances available on customer request.