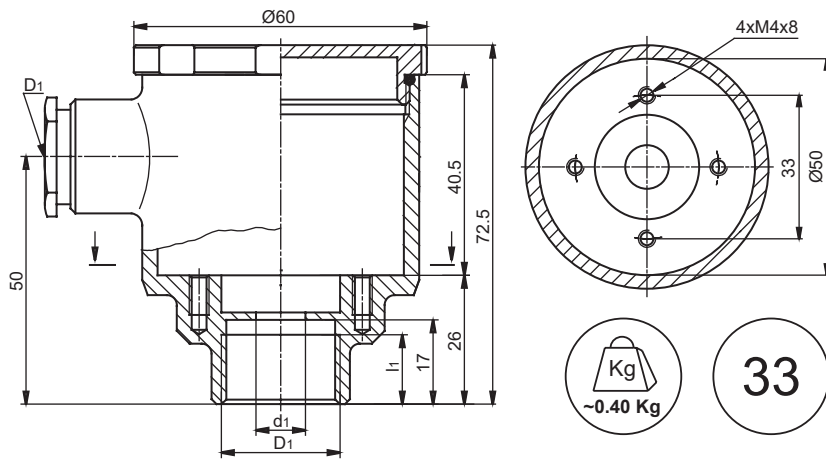


# CONNECTION HEAD - type BECF (not welded) - FDA



STAINLESS  
STEEL HEADS

03

(1)	BECF	ORDERING CODE	SPECIFICATION		
(2)	Material of elements	3	Metal parts - stainless steel; seals-oil resistant rubber (-40...100°C)		
		4	Metal parts - stainless steel; seals - silicone rubber (-40...150°C)		
(3)	Cable gland thread D <sub>2</sub>	M2	M20x1.5		
(4)	Type of cable gland seal	A	Without notches		
		B	With notches		
		X	No gland, threaded hole only		
(5)	Type of process thread D <sub>1</sub>		D <sub>1</sub> [Ø]	d <sub>1</sub> [Ø]	l <sub>1</sub>
		1	M24x1.5	Ø14	14
		2	G½	Ø12	14

### Main features:

- material of body and cover - stainless steel 1.4541 (N)
- temperature range:  
-40÷100°C - oil-proof rubber  
-40÷150°C - silicone rubber
- maximum space for transmitter: Ø45x20mm
- coating - non existing

### Ordering example:

(1) (2) (3) (4) (5)  
BECF 3 - M2 A - 1