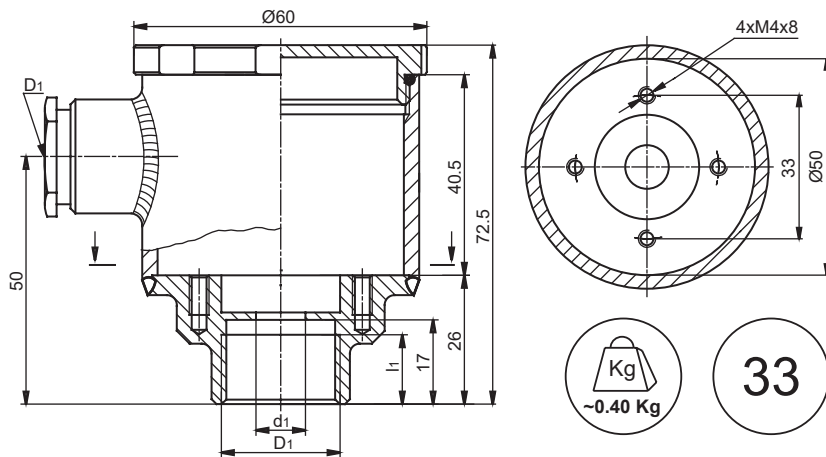


# CONNECTION HEAD - type BEGF - FDA



STAINLESS  
STEEL HEADS

03

(1)	BEGF	ORDERING CODE	SPECIFICATION		
(2)	Material of elements	3	Metal parts - stainless steel; seals-oil resistant rubber (-40...100°C)		
		4	Metal parts - stainless steel; seals - silicone rubber (-40...150°C)		
(3)	Cable gland thread D <sub>2</sub>	M2	M20x1.5		
		G2	G½		
		N2	½NPT (empty thread only)		
		P1	Pg16		
(4)	Type of cable gland seal	A	Without notches		
		B	With notches		
		X	No gland, threaded hole only		
(5)	Type of process thread D <sub>1</sub>		<b>D<sub>1</sub>[ø]</b>	<b>d<sub>1</sub>[ø]</b>	<b>l<sub>1</sub></b>
		1	M24x1.5	Ø14	14
		2	G½	Ø12	14
		3	G¾	Ø14	14
		4	½NPT	Ø17.35	18.5
5	¾NPT	Ø22.70	18.5		

### Main features:

- material of body and cover - stainless steel 1.4541 (N)
- temperature range:  
-40÷100°C - oil-proof rubber  
-40÷150°C - silicone rubber
- maximum space for transmitter: Ø45x20mm
- coating - non existing

### Ordering example:

(1) (2) (3) (4) (5)  
BEGF 3 - M2 A - 1