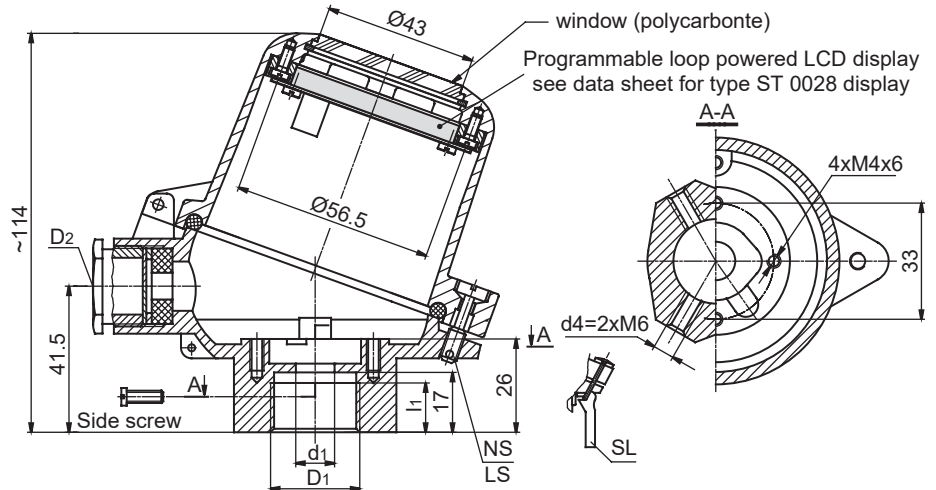


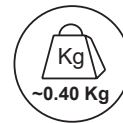
CONNECTION HEAD - type DANAWdia

STANDARD
ALUMINIUM HEADS

01



| (1) | DANAW | ORDERING CODE | SPECIFICATION | | | | |
|------|---|---------------|---|--------------------------|----------------------|-----------|-------|
| (10) | Display type | dia | Programmable loop powered LCD display – ST 0028 | | | | |
| (2) | Material of elements | 1 | Metal parts - nickel - plated brass; seals-oil resistant rubber* (-20...70°C) | | | | |
| | | 3 | Cable gland - nickel - plated brass; other metal parts - stainless steel; seals-oil resistant rubber (-20...70°C) | | | | |
| (3) | Cable gland thread | M2 | M20x1.5 | | | | |
| | | G2 | G½ | | | | |
| | | N2 | ½NPT (empty thread only) | | | | |
| | | P1 | Pg16 | | | | |
| (4) | Type of cable gland seal | A | Without notches | | | | |
| | | B | With notches | | | | |
| | | X | No gland, threaded hole only | | | | |
| (5) | Type of process thread D ₁ /d ₁ | | D₁ [Ø] | d₁ [Ø] | l₁ | d4 | |
| | | 1 | * | Ø15.3 | Ø11 | – | M6x20 |
| | | 2 | STANDARD | Ø22.5 | Ø14 | – | M6x16 |
| | | 3 | * | Ø26.5 | Ø14 | – | M6x16 |
| | | 4 | STANDARD | Ø32.5 | Ø18 | – | M6x10 |
| | | 5 | STANDARD | M24x1.5 | Ø14 | 14 | – |
| | | 6 | * | G¾ | Ø11 | 14 | – |
| | | 7 | STANDARD | G½ | Ø11 | 14 | – |
| | | 8 | * | G¾ | Ø14 | 14 | – |
| | | 9 | STANDARD | ½NPT | Ø17.35 | 20 | – |
| 10 | * | ¾NPT | Ø22.70 | 20 | – | | |
| (6) | Side screw d4=2xM6 | a | Screw - Carbon steel zinc - plated | | | | |
| | | c | Screw - Brass nickel - plated | | | | |
| | | e | Screw - Stainless steel | | | | |
| | | x | No tube side screw | | | | |
| (7) | Cover closure | NS | Screws without leaden seal holes | | | | |
| | | LS | Screws with leaden seal holes | | | | |
| | | SL | Snap lock | | | | |
| (8) | Paint type | P | Polyester | | | | |
| | | E | Epoxy | | | | |
| | | C | Creodur - Rafil | | | | |
| | | SE | Spray Epoxy | | | | |
| | | SPU | Spray polyurethane on (SE) layer | | | | |
| (9) | Paint colour | al | alu natural colour (only Creodur - Rafil) | | | | |
| | | yc | RAL 1007 daffodil yellow | | | | |
| | | ys | RAL 1003 signal yellow | | | | |
| | | bs | RAL 5005 signal blue | | | | |
| | | sb | RAL 5015 sky blue | | | | |
| | | sg | RAL 7032 pebble grey | | | | |
| | | gr | RAL 7035 light grey | | | | |
| | | ag | RAL 9002 grey white | | | | |
| | | sh | RAL 9006 white aluminium | | | | |
| | | gs | RAL 9007 grey aluminium | | | | |
| cw | RAL 9010 pure white | | | | | | |
| wa | white aluminium (substitute of Cal, only Polyester) | | | | | | |



Main features:

- material of body, cover and snap lock lever - aluminium pressure die-castings
- cable gland washer - zinc-plated press steel
- link of snap lock - nickel-plated springing steel
- temperature range: -20÷70°C
- maximum space for transmitter: Ø45x30mm

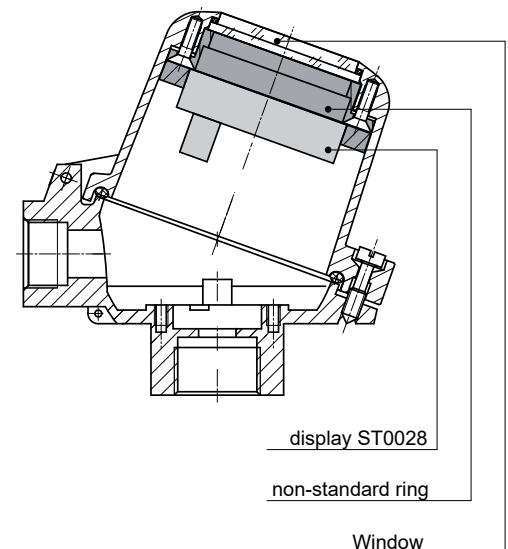
Ordering example:

(1) (10) (2) (3) (4) (5) (6) (7) (8) (9)
DANAW dia 1 - M2 A - 5 x - NS - P sh

* Non-standard execution on special demand
Applied higher prices, possibility of increased minimum order quantity and extended production time.

Options:

- IP66, IP68 only optional version with non-standard ring located under the window cover. If needed select this option in the order.



exception: *cover pin - zinc - plated carbon steel