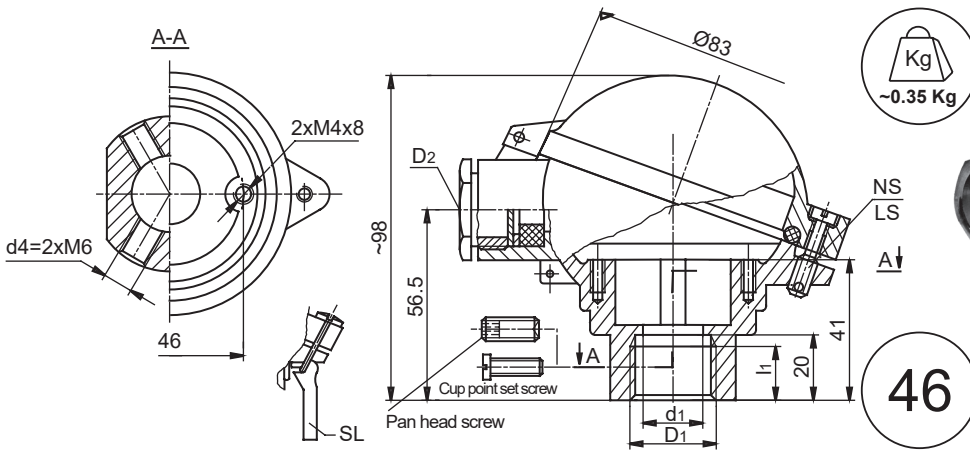


CONNECTION HEAD - type DA



46

(1)	DA	ORDERING CODE	SPECIFICATION
(2)	Material of elements	1	Metal parts - nickel - plated brass; seals-oil resistant rubber* (-40...100°C)
		2	Metal parts - nickel - plated brass; seals - silicone rubber* (-40...150°C)
		3	Cable gland - nickel - plated brass; other metal parts - stainless steel; seals-oil resistant rubber (-40...100°C)
		4	Cable gland - nickel - plated brass; other metal parts - stainless steel; seals - silicone rubber (-40...150°C)
(3)	Cable gland thread	M2	M20x1.5
		G2	G½
		N2	½NPT (empty thread only)
		P1	Pg16
(4)	Type of cable gland seal	A	Without notches
		B	With notches
		X	No gland, threaded hole only
(5)	Type of process thread D ₁ /d ₁		D₁ [ø] d₁ [ø] l₁ d4
		1	Ø15.3 Ø11 - M6x18
		2	Ø22.5 Ø18 - M6x16
		3	Ø26.5 Ø18 - M6x16
		4	Ø32.5 Ø28 - M6x10
		5	M24x1.5 Ø18 17 -
		6	G½ Ø14 17 -
		7	G¾ Ø18 17 -
		8	½NPT Ø14 17 -
9	¾NPT Ø18 17 -		
(6)	Side screw d4=2xM6	a	Pan head screw made of steel
		b	Cup - point set screw with hex socket made of steel
		c	Pan head screw made of brass
		e	Pan head screw made of stainless steel
		f	Cup - point set screw with hex socket made of stainless steel
		x	No side screw
(7)	Cover closure	NS	Screws without leaden seal holes
		LS	Screws with leaden seal holes
		SL	Snap lock
(8)	Paint type	P	Polyester
		E	Epoxy
		C	Creodur - Rafil
(9)	Paint colour	al	alu natural colour (only Creodur - Rafil)
		yc	RAL 1007 daffodil yellow
		ys	RAL 1003 signal yellow
		bs	RAL 5005 signal blue
		sb	RAL 5015 sky blue
		sg	RAL 7032 pebble grey
		gr	RAL 7035 light grey
		ag	RAL 9002 grey white
		sh	RAL 9006 white aluminium
		gs	RAL 9007 grey aluminium
cw	RAL 9010 pure white		
wa	white aluminium (substitute of Cal, only Polyester)		

exception: *cover pin - zinc - plated carbon steel

Main features:

- material of body, cover and snap lock lever - aluminium pressure die-castings
- cable gland washer - zinc-plated press steel
- link of snap lock - nickel - plated springing steel
- temperature range:
-40+100°C - oil-proof rubber,
-40+150°C - silicone rubber
- maximum space for transmitter:
Ø56x13mm, Ø42x40mm

Ordering example:

(1) (2) (3) (4) (5) (6) (7) (8) (9)
DA 1 - M2 A - 4 a - NS - P sh