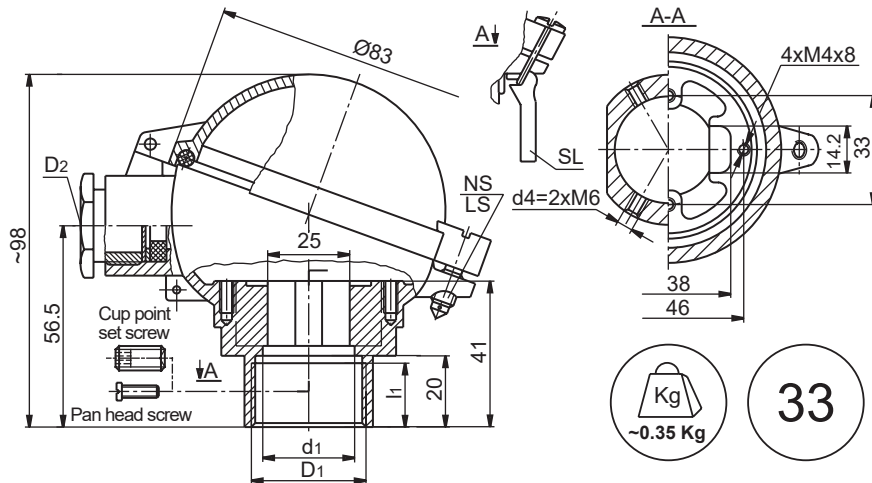


CONNECTION HEAD - type DAA



STANDARD ALUMINIUM HEADS
01

(1) DAA	ORDERING CODE	SPECIFICATION				
(2) Material of elements	1	Metal parts - nickel - plated brass; seals - oil resistant rubber* (-40...100°C)				
	2	Metal parts - nickel plated brass; seals - silicone rubber* (-40...150°C)				
	3	Cable gland - nickel - plated brass; other metal parts - stainless steel; seals - oil resistant rubber (-40...100°C)				
	4	Cable gland - nickel - plated brass; other metal parts - stainless steel; seals - silicone rubber (-40...150°C)				
(3) Cable gland thread D ₂	M2	M20x1.5				
	G2	G½				
	N2	½NPT (empty thread only)				
	P1	Pg16				
(4) Type of cable gland seal	A	Without notches				
	B	With notches				
	X	No gland, threaded hole only				
(5) Type of process thread D ₁ /d ₁		D₁[ø]	d₁[ø]	l₁	d4	
	1	*	Ø15.3	Ø11	-	M6x18
	2	STANDARD	Ø22.5	Ø21	-	M6x16
	3	STANDARD	Ø26.5	Ø21	-	M6x16
	4	STANDARD	Ø32.5	Ø27	-	M6x10
	5	STANDARD	M24x1.5	Ø18	17	-
	6	STANDARD	G½	Ø14	17	-
	7	*	G¾	Ø21	17	-
	8	*	½NPT	Ø17.35	23	-
9	*	¾NPT	Ø22.70	23	-	
(6) Side screw d4=2xM6	a	Pan head screw made of steel				
	b	Cup - point set screw with hex socket made of steel				
	c	Pan head screw made of brass				
	d	Cup - point set screw with hex socket made of brass				
	e	Pan head screw made of stainless steel				
	f	Cup - point set screw with hex socket made of stainless steel				
	x	No side screw				
(7) Cover closure	NS	Screws without leaden seal holes				
	LS	Screws with leaden seal holes				
	SL	Snap lock				
(8) Paint type	P	Polyester				
	E	Epoxy				
	C	Creodur - Rafil				
Paint colour	al	alu natural colour (only Creodur - Rafil)				
	yc	RAL 1007 daffodil yellow				
	ys	RAL 1003 signal yellow				
	bs	RAL 5005 signal blue				
	sb	RAL 5015 sky blue				
	sg	RAL 7032 pebble grey				
	gr	RAL 7035 light grey				
	ag	RAL 9002 grey white				
	sh	RAL 9006 white aluminium				
	gs	RAL 9007 grey aluminium				
	cw	RAL 9010 pure white				
	wa	white aluminium (substitute of Cal, only Polyester)				

exception: *cover pin - zinc-plated carbon steel

Main features:

- material of body, cover and snap lock lever - aluminium pressure die-castings
- cable gland washer - zinc-plated press steel
- link of snap lock - nickel - plated springing steel
- temperature range:
-40+100°C - oil-proof rubber,
-40+150°C - silicone rubber
- maximum space for transmitter:
Ø56x13mm, Ø45x40mm

Ordering example:

(1) (2) (3) (4) (5) (6) (9) (8) (9)
DAA 1 - M2 A - 4 a - NS - P sh

* Non-standard execution on special demand
Applied higher prices, possibility of increased minimum order quantity and extended production time.