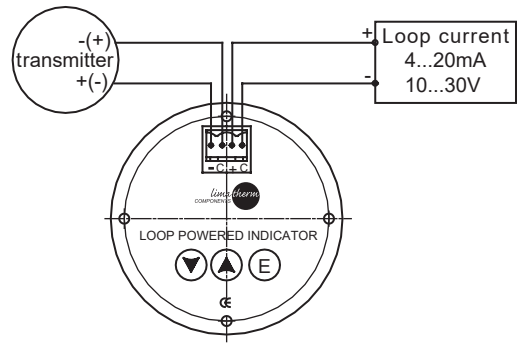
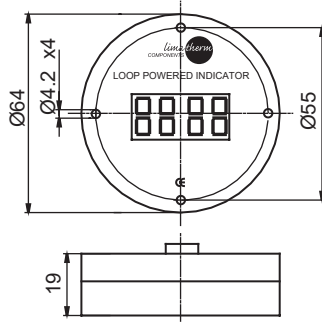


LED DISPLAY - type LPI-01



DISPLAYS
07

TECHNICAL DATA	
PERFORMANCES	
Reference operating condition	25°C
Max. measurement error	0,1% of the programmed range +/- 1 digit
Influence of ambient temperature (temp. drift)	20ppm/°C of measuring range at 20°C as reference temperature
Output signal	4...20 mA
Supply voltage	24V
Voltage drop out	3,3V at 4 mA and 3,7V at 20 mA
Minimum current of LED activation	3.5 mA
Digits	LED, 4 digits 7 segments, height 9,5mm
Visible dimension	30x14
Display characteristics	6400ucd for If=10mA
Data storage	FLASH
Storage period	10 years (non powered)
Mounting	4 holes/90 Ø4.2 on Ø55
Collaboration with Hart protocol transmitter	Transparent for the Hart protocol
OPERATING CONDITIONS	
Ambient temperature	-20...80°C
Storage temperature	-30...80°C
Moisture	25 by 95% non condensating
Ingress protection	IP 20
Electromagnetic compatibility	Carried out with positive results EN 61000, EN 55022
FUNCTIONALITIES	
Parameters	Zero, span, decimal, point, refresh rate, unit
Indication limits	-1999 to +9999
Programmable range	-1999 to +9999
Decimal points position	0, 1, 2, 3 decimals
Over - load limits	From 3.5 to 20.5 mA
Refresh rate	From 1 to 10 second
Calibration points	Zero (4 mA) and span (20 mA), stored on FLASH
Unit	°C, °F, °K, % in cycle: 4sec. value - 2sec. unit
MECHANICAL CONSTRUCTION	
Electrical loop connection	2 terminals, max. wire section 1mm ² (16 AWG)
Dimension	Ø64 x 19 mm
Weight	65g
Short mark display closed in the connection head or measuring	...die-standard version
Application, Fixing	XD-I80di...-Fixing kit; Nr: KD-L1 DAN... Wdi...- directly by screw 2xM4x20 XE-DAN...Wdi. directly by screw 2xM4x20

Ordering:

Loop power indicator type: LPI-01-

