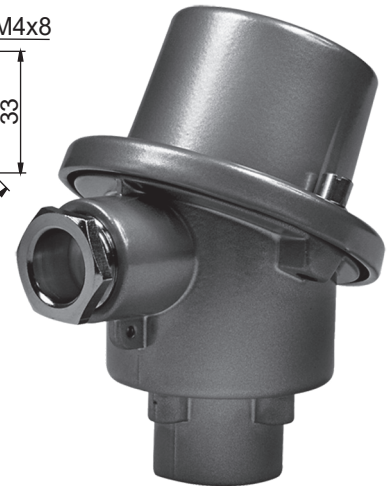
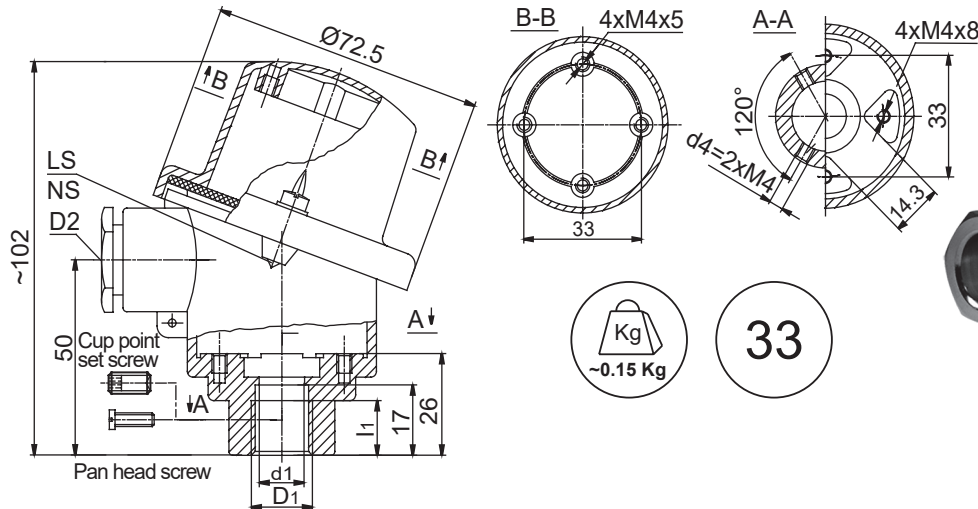


# CONNECTION HEAD - type BAW



STANDARD ALUMINIUM HEADS

01

(1)	BAW	ORDERING CODE	SPECIFICATION			
(2)	Material of elements	1	Metal parts - nickel - plated brass; seals-oil resistant rubber (-40...100°C)			
		2	Metal parts - nickel plated brass; seals - silicone rubber (-40...150°C)			
		3	Cable gland - nickel - plated brass; other metal parts - stainless steel; seals - oil resistant rubber (-40...100°C)			
		4	Cable gland - nickel - plated brass; other metal parts - stainless steel; seals - silicone rubber (-40...150°C)			
(3)	Cable gland thread D <sub>2</sub>	M2	M20x1.5			
		G2	G½			
		N2	½NPT (empty thread only)			
		P1	Pg16			
(4)	Type of cable gland seal	A	Without notches			
		B	With notches			
		X	No gland, threaded hole only			
(5)	Type of process thread D <sub>1</sub> /d <sub>1</sub>		<b>D<sub>1</sub>[ø]</b>	<b>d<sub>1</sub>[ø]</b>	<b>l<sub>1</sub></b>	<b>d4</b>
		1	Ø6.5	Ø6.5	-	M4x14
		2	Ø9	Ø9	-	M4x14
		3	Ø10.5	Ø9	-	M4x12
		4	Ø12.2	Ø9	-	M4x12
		5	Ø15.3	Ø12	-	M4x10
		6	Ø15.5	G½	-	M4x10
		7	Ø15.8	Ø12	-	M4x10
		8	M8	M8	20	-
		9	M12x1	Ø9	14	-
		10	M18x1.5	Ø12	14	-
		11	M20x1.5	Ø12	14	-
		12	M20x1.5	Ø16	14	-
		13	M24x1.5	Ø9	14	-
		14	M24x1.5	Ø12	14	-
		15	M24x1.5	Ø15	14	-
		16	G½	Ø9	14	-
		17	G½	Ø12	14	-
18	½NPT	Ø17.35	20	-		
(6)	Side screw d4=2xM4	a	Pan head screw made of steel			
		b	Cup - point set screw with hex socket made of steel			
		c	Pan head screw made of brass			
		e	Pan head screw made of stainless steel			
		f	Cup - point set screw with hex socket made of stainless steel			
		x	No side screw			
(7)	Cover closure	NS	Screws without leaden seal holes			
		LS	Screws with leaden seal holes			
(8)	Paint type	P	Polyester			
		E	Epoxy			
		C	Creodur - Rafil			
(9)	Paint colour	al	alu natural colour (only Creodur - Rafil)			
		yc	RAL 1007 daffodil yellow			
		ys	RAL 1003 signal yellow			
		bs	RAL 5005 signal blue			
		sb	RAL 5015 sky blue			
		sg	RAL 7032 pebble grey			
		gr	RAL 7035 light grey			
		ag	RAL 9002 grey white			
		sh	RAL 9006 white aluminium			
		gs	RAL 9007 grey aluminium			
		cw	RAL 9010 pure white			
wa	white aluminium (substitute of Cal, only Polyester)					

## Main features:

- material of body and cover - aluminium pressure die-castings
- cable gland washer - zinc-plated press steel
- temperature range:  
-40÷100°C - oil-proof rubber  
-40÷150°C - silicone rubber
- maximum space for transmitter:  
Ø44x21mm, Ø44x28mm

## Standard executions:

- BAW1-M2B-14x-NS-Cal
- BAW1-M2B-5x-NS-Psh
- BAW1-M2B-1a-NS-Cal
- BAW1-M2B-15x-NS-Psh

## Ordering example:

(1) (2) (3) (4) (5) (6) (8) (8) (9)  
BAW 1 - M2 A - 4 a - NS - P sh