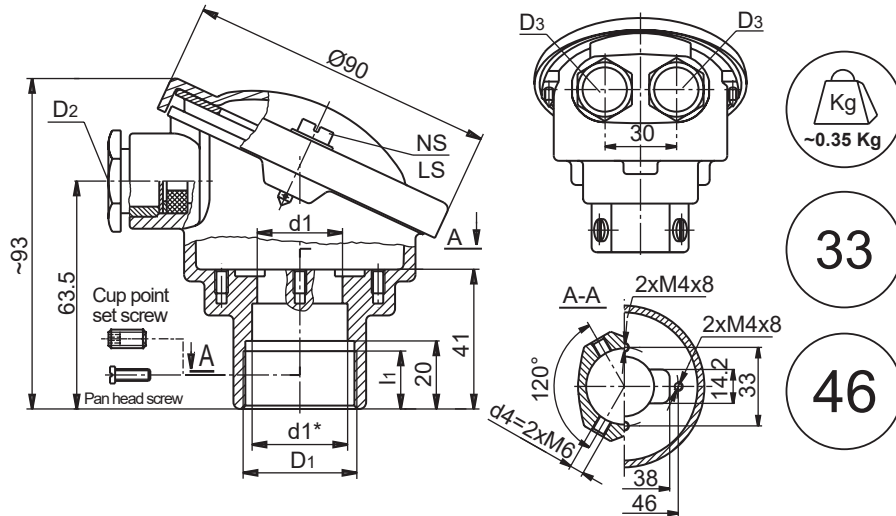


CONNECTION HEAD - type AAD



(1)	AAD	ORDERING CODE	SPECIFICATION			
(1)	Material of elements	1	Metal parts - nickel - plated brass; seals - oil resistant rubber (-40...100°C)			
		2	Metal parts - nickel plated brass; seals - silicon rubber (-40...150°C)			
		3	Cable gland - nickel - plated brass; other metal parts - stainless steel; seals - oil resistant rubber (-40...100°C)			
		4	Cable gland - nickel - plated brass; other metal parts - stainless steel; seals - silicone rubber (-40...150°C)			
(3)	Cable gland thread D ₂ /D ₃	M2	M20x1.5			
		G2	G½			
		N2	½NPT (empty thread only)			
		P1	Pg16			
(4)	Type of cable gland seal	A	Without notches			
		B	With notches			
		X	No gland, threaded hole only			
(5)	Type of process thread D ₁ /d ₁		D ₁ [ø]	d ₁ [ø]	l ₁	d4
		1	Ø13	Ø13	-	M6x20
		2	Ø22.3	Ø21	-	M6x16
		3	Ø22.8	Ø21	-	M6x16
		4	Ø26.8	Ø21	-	M6x16
		5	Ø32.5	Ø28/25	-	M6x10
		6	M24x1.5	Ø15	17	-
		7	M24x1.5	Ø21	17	-
		8	G½	Ø14	17	-
		9	G¾	Ø21	17	-
		10	½NPT	Ø17.35	39.5	-
11	¾NPT	Ø22.70	39.5	-		
(6)	Side screw d4=2xM6	a	Pan head screw made of steel			
		b	Cup - point set screw with hex socket made of steel			
		c	Pan head screw made of brass			
		d	Cup - point set screw with hex socket made of brass			
		e	Pan head screw made of stainless steel			
		f	Cup - point set screw with hex socket made of stainless steel			
(7)	Cover closure	NS	Screws without leaden seal holes			
		LS	Screws with leaden seal holes			
(8)	Paint type	P	Polyester			
		E	Epoxy			
		C	Creodur - Rafil			
(9)	Paint colour	al	alu natural colour (only Creodur - Rafil)			
		yc	RAL 1007 daffodil yellow			
		ys	RAL 1003 signal yellow			
		bs	RAL 5005 signal blue			
		sb	RAL 5015 sky blue			
		sg	RAL 7032 pebble grey			
		gr	RAL 7035 light grey			
		ag	RAL 9002 grey white			
		sh	RAL 9006 white aluminium			
		gs	RAL 9007 grey aluminium			
		cw	RAL 9010 pure white			
wa	white aluminium (substitute of Cal, only Polyester)					

Main features:

- material of body and cover - aluminium pressure die-castings
- cable gland washer - zinc-plated press steel
- temperature range: -40÷100°C - oil-proof rubber -40÷150°C - silicone rubber
- maximum space for transmitter: Ø56x20mm

Standard executions:

- AAD3-M2A-1b-NS-Psh
- AAD3-M2B-7x-NS-Cal
- AAD3-M2B-6x-NS-Cal
- AAD3-M2B-5a-NS-Cal

Ordering example:

- (1) (2) (3) (4) (5) (6) (9) (8) (9)
AAD 3 - M2 A - 4 a - NS - P sh