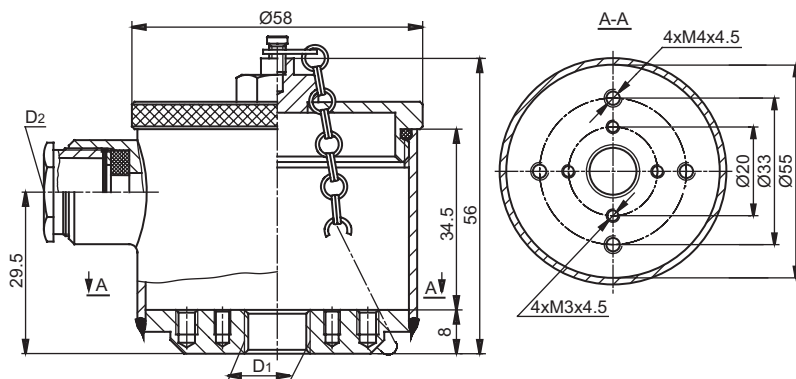


## CONNECTION HEAD - type MBEG



STAINLESS  
STEEL HEADS

03

(1)	MBEG	ORDERING CODE	SPECIFICATION
(2)	Material of elements	3	Metal parts - stainless steel; seals-oil resistant rubber (-40...100°C)
		4	Metal parts - stainless steel; seals - silicone rubber (-40...150°C)
(3)	Cable gland thread D <sub>2</sub>	M1	M16x1.5
		N1	1/4NPT
		P0	Pg9
(4)	Type of cable gland seal	A	Without notches
		B	With notches
		X	No gland, threaded hole only
(5)	Type of process thread D <sub>1</sub>	<b>D<sub>1</sub>[Ø]</b>	
		1	M10x1
		2	M12x1
		3	G3/8
		4	1/8NPT
		5	1/4NPT

### Main features:

- material of body and cover - stainless steel 1.4541 (N)
- temperature range:  
-40÷100°C - oil-proof rubber  
-40÷150°C - silicone rubber
- maximum space for transmitter: Ø45x18mm
- coating - non existing

### Ordering example:

(1) (2) (3) (4) (5)  
MBEG 3 - M1 A - 1