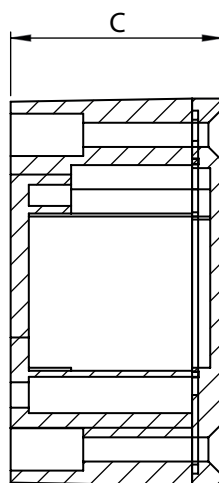
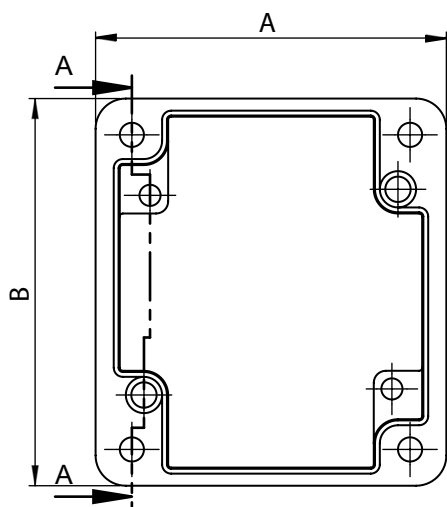
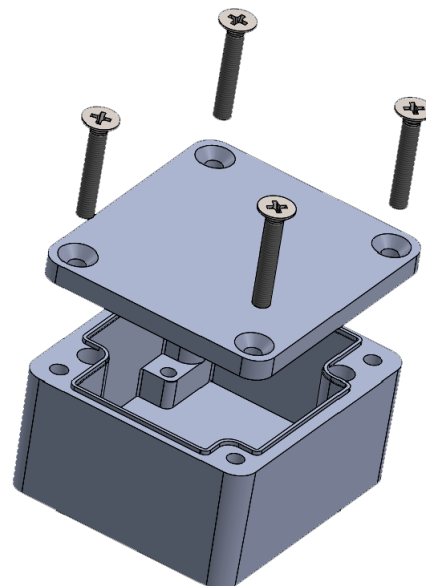


Boxes EAL - aluminium enclosures Version II

Aluminium enclosures for mounting terminal strips, electric devices and electronics



A-A



Main features:

Material of body and cover: aluminium alloy, max. 0,55% Mg

Service temperature: $T_{serv} -40+80^{\circ}C$, neoprene rubber; oil-, benzine- and solvent-proof

Protection degree: IP65 according to PN-EN 60529

Paint: standard polyester powder paint RAL7001 (silver gray). Other paints and colours on request. Not painted inside

Mounting:

- channels for mounting screws outside the seal area
- mounting screws made of stainless steel
- mounting of rods, brackets and pads for threaded openings - see drawings.

There are 4 versions of spacing of mounting openings - see drawings.

IP65

Box Type	Version II	A	B	C
	EAL90.36.30	90	36	30
EAL98.64.34	98	64	34	
EAL64.58.35	64	58	35	
EAL150.64.36	150	64	36	
EAL171.121.55	171	121	101	
Paint type	P	Polyester		
Paint colour	al	alu natural colour (only Creodur - Rafil)		
	yc	RAL 1007 daffodil yellow		
	ys	RAL 1003 signal yellow		
	bs	RAL 5005 signal blue		
	sb	RAL 5015 sky blue		
	sg	RAL 7032 pebble grey		
	gr	RAL 7035 light grey		
	ag	RAL 9002 grey white		
	sh	RAL 9006 white aluminium		
	gs	RAL 9007 grey aluminium		
	cw	RAL 9010 pure white		
wa	white aluminium (substitute of Cal, only Polyester)			

Ordering example:

(A) (B) (C) (P)
EAL 64. 58. 35 - Pbs