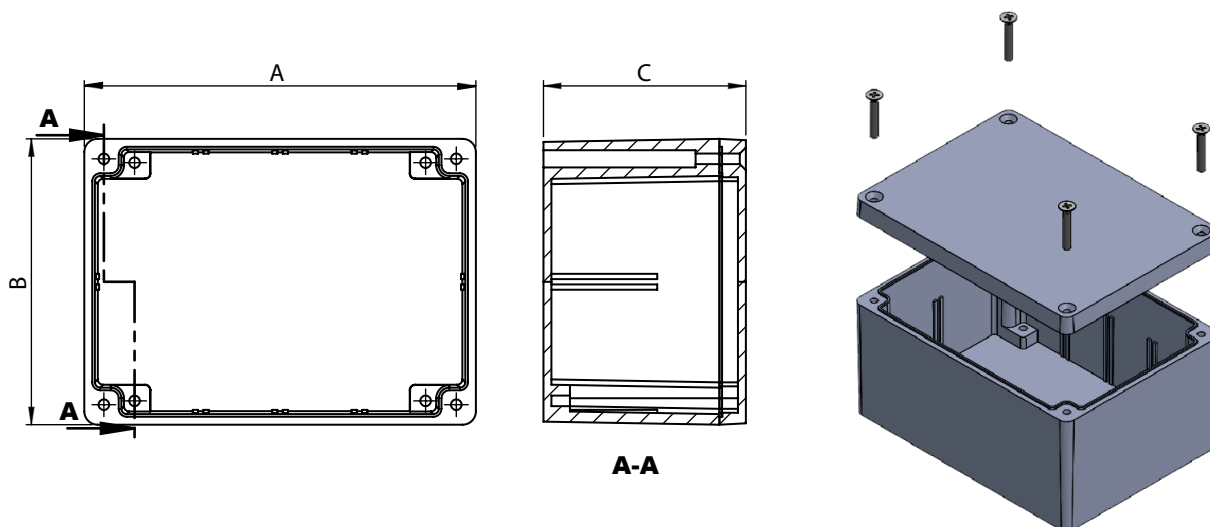


Aluminium enclosures for mounting terminal strips, electric devices and electronics



Main features:

Material of body and cover: aluminium alloy, max. 0,55% Mg

Service temperature: T_{serv} -40÷80°C, neoprene rubber; oil-, benzine- and solvent-proof

Protection degree: IP65 according to PN-EN 60529

Paint: standard polyester powder paint RAL7001 (silver gray). Other paints and colours on request. Not painted inside

Mounting:

- channels for mounting screws outside the seal area
 - mounting screws made of stainless steel
 - mounting of rods, brackets and pads for threaded openings - see drawings.
- There are 4 versions of spacing of mounting openings - see drawings.



Box Type	Version III		A	B	C
		EAL115.65.30		115	65
	EAL148.108.75		148	108	75
	EAL222.146.82		222	146	82
	EAL120.120.101		120	120	101
	EAL158.158.101		158	158	101
Paint type	P		Polyester		
Paint colour	al	alu natural colour (only Creodur - Rafil)			
	yc	RAL 1007 daffodil yellow			
	ys	RAL 1003 signal yellow			
	bs	RAL 5005 signal blue			
	sb	RAL 5015 sky blue			
	sg	RAL 7032 pebble grey			
	gr	RAL 7035 light grey			
	ag	RAL 9002 grey white			
	sh	RAL 9006 white aluminium			
	gs	RAL 9007 grey aluminium			
	cw	RAL 9010 pure white			
wa	white aluminium (substitute of Cal, only Polyester)				

Ordering example:

(A) (B) (C) (P)
EAL 148 108. 75 - Pbs