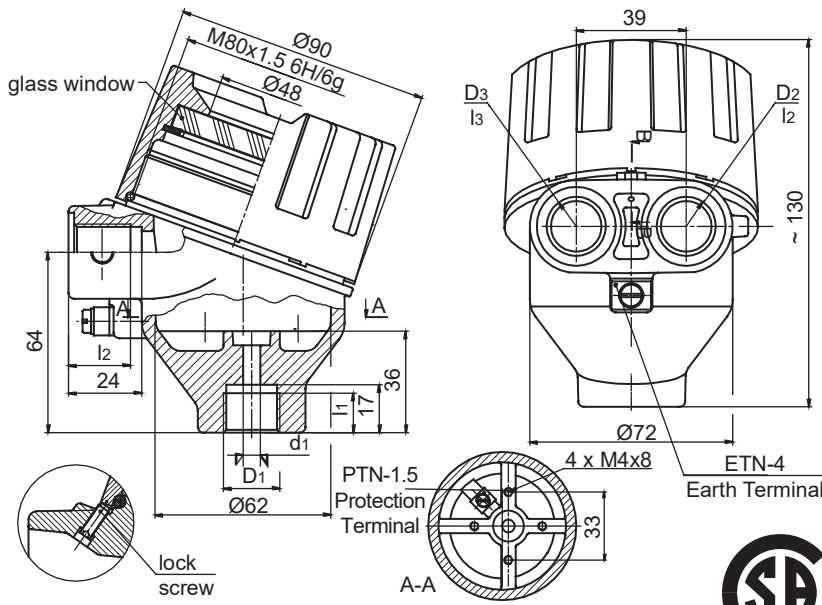


CONNECTION HEAD - type XD-AHwin



EX HEADS

06

(1) XD-AHwin	ORDERING CODE		SPECIFICATION
(2) Material of elements	4		Metal parts - stainless steel; seals - silicone rubber
	5		Metal parts - stainless steel; seals - fluoroelastomer rubber
(3) Cable gland thread D ₂ /D ₃ Please choose two variants of thread, separately for D ₂ and D ₃ For example: XD-AD-4-M2/CD...	M2		M20x1.5 6H
	N2		½NPTmod - modified ac. to FM3615 and CSA C22.2 No. 0.5
	N3		¾NPTmod - modified ac. to FM3615 and CSA C22.2 No. 0.5
	CD		CD = closed (D ₃ only)
(4) Type of process thread D ₁	M2		M20x1.5 6H
	M24		M24x1.5 6H
	M27		M27x2 6H
	N2		½NPTmod - modified ac. to FM3615 and CSA C22.2 No. 0.5
	N3		¾NPTmod - modified ac. to FM3615 and CSA C22.2 No. 0.5
(5) Symbol of hole d ₁ diameter	13		Ø13 or other hole on request (non flameproof)
(8) Paint type	C		Creodur - Rafil
	SE		Spray epoxy
	SPU		Spray polyurethane on (SE) layer
(9) Paint colour	al		alu natural colour (only Creodur - Rafil)
	yc		RAL 1007 daffodil yellow
	ys		RAL 1003 signal yellow
	bs		RAL 5005 signal blue
	sb		RAL 5015 sky blue
	sg		RAL 7032 pebble grey
	gr		RAL 7035 light grey
	ag		RAL 9002 grey white
	sh		RAL 9006 white aluminium
gs		RAL 9007 grey aluminium	
	cw		RAL 9010 pure white

Main features:

- material of body and cover - aluminium pressure die-castings, max 0.5%Mg
- service temperature Connection Head: T_{serv} = -50+85°C - silicone rubber
- T_{serv} = -20+85°C - fluoroelastomer rubber
- maximum space for transmitter: Ø52x30mm
- coating: yellow chromating (optionally) and chemically resistant paint (outside only)

Material: aluminium EN AC 44200mod

EN AC 44200mod - the kind of material meets the requirements for use in potentially explosive areas. In addition, it is characterized by increased strength (pressure) parameters, while at the same time shows reduced copper (Cu) concentration.

Ordering example:

(1) (2) (3) (4) (5) (8) (9)
XD-AHwin 4 - M2/CD - M24/8.1 - SE sh