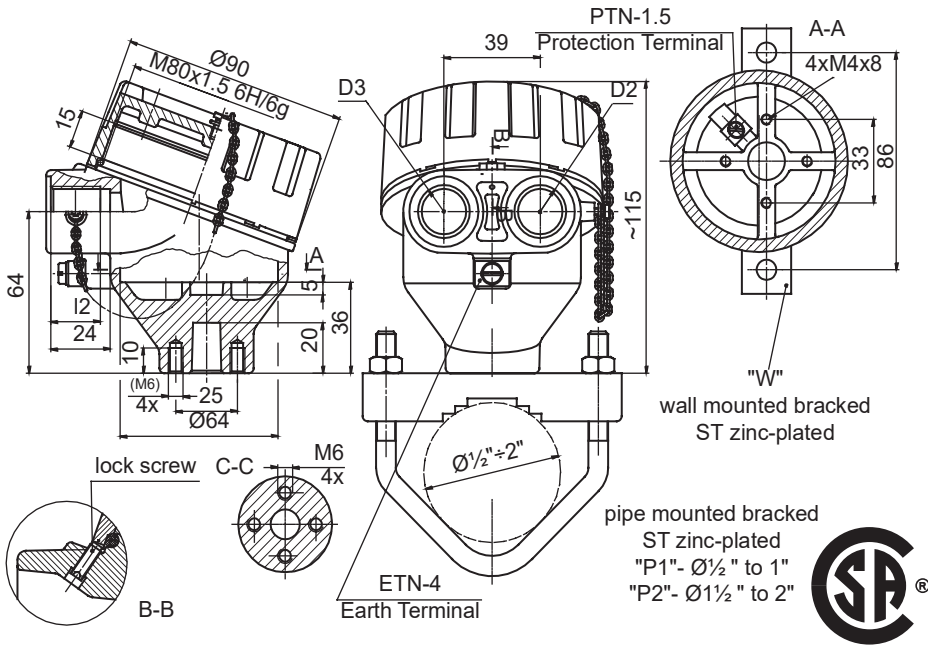


# CONNECTION HEAD - type XD-ABF



EX HEADS

06

(1)	XD-ABF	ORDERING CODE	SPECIFICATION
(2)	Material of elements	4	Metal parts - stainless steel; seals - silicone rubber
		5	Metal parts - stainless steel; seals - fluoroelastomer rubber
(3)	Cable gland thread D <sub>2</sub> /D <sub>3</sub> Please choose two variants of thread, separately for D <sub>2</sub> and D <sub>3</sub> For example: XD-ABF-4-M2/CD...	M2	M20x1.5 6H
		N2	½NPTmod - modified ac. to FM3615 and CSA C22.2 No. 0.5
		N3	¾NPTmod - modified ac. to FM3615 and CSA C22.2 No. 0.5
		CD	CD = closed (D <sub>3</sub> only)
(8)	Paint type	C	Creodur - Rafil (~30 µm)
		SE	Spray epoxy (~70 µm)
		SPU	Spray polyurethane on (SE) layer (~120 µm)
(9)	Paint colour	al	alu natural colour (only Creodur - Rafil)
		yc	RAL 1007 daffodil yellow
		ys	RAL 1003 signal yellow
		bs	RAL 5005 signal blue
		sb	RAL 5015 sky blue
		sg	RAL 7032 pebble grey
		gr	RAL 7035 light grey
		ag	RAL 9002 grey white
		sh	RAL 9006 white aluminium
		gs	RAL 9007 grey aluminium
cw	RAL 9010 pure white		
(10)	Bracket type	W	Fixing on a wall
		P	Fixing on a pipe
		X	Without bracket

## Main features:

- material of body and cover - aluminium pressure die-castings, max 0.5%Mg
- service temperature:  
T<sub>serv</sub> = -50+150°C - silicone rubber  
T<sub>serv</sub> = -20+200°C - fluoroelastomer rubber
- maximum space for transmitter: Ø52x30mm
- coating: yellow chromating (optionally) and chemically resistant paint (outside only)

Material: aluminium EN AC 44200mod

**EN AC 44200mod** - the kind of material meets the requirements for use in potentially explosive areas.

In addition, it is characterized by increased strength (pressure) parameters, while at the same time shows reduced copper (Cu) concentration.

## Ordering example:

(1) (2) (3) (8) (9) (10)  
XD-ABF 4 - M2/CD - SE sh + W