



Date 16.05.2022

APPLICATION MANUAL N-L2236

Flameproof Ex d connection head

Type: **XD-AD...** , **XD-AH...** , **XD-AB...** series

Flameproof Ex d field transmitter housing

Type: **XD-ADF...**, **XD-AHF...**, **XD-ABF...** series

Contents:

1. Variety marks and cover body fitting
2. Destination.
3. Flameproof joints.
4. Flameproof joints on D_1 / d_1 holes.
5. Carried out tests.
6. Conduit opening: D_2, D_3 .
7. Temperature classes, ambient temperature, power dissipation.
8. Earth and protection terminals.
9. Maximum space for transmitter and display module.
10. Protection degree.
11. Cover locking.
12. Way of fixing field transmitter housing to the wall and on the pipe.
13. Marking.

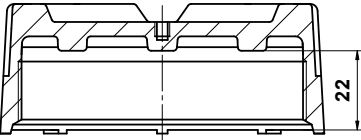
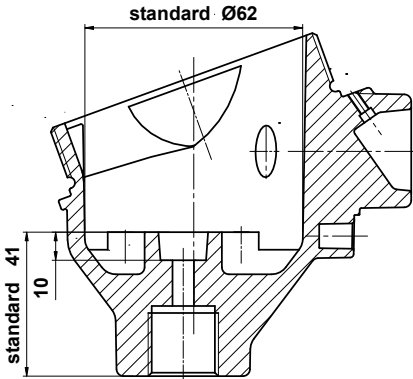
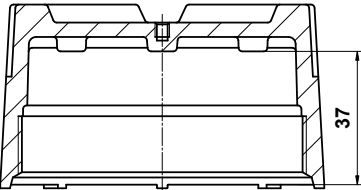
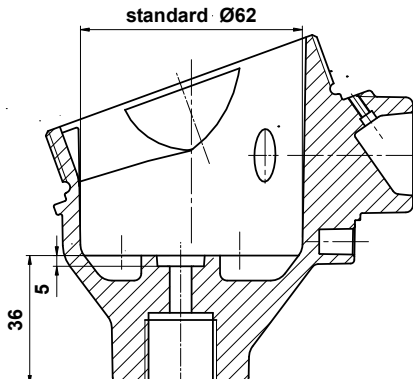
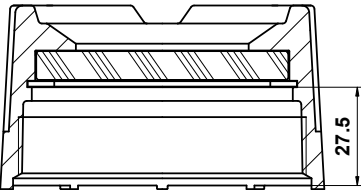
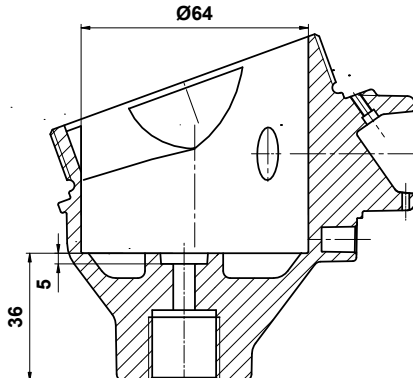
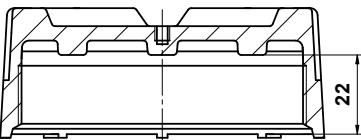
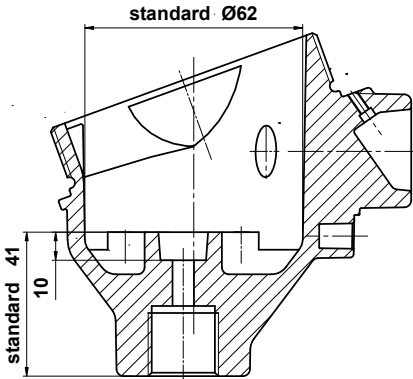
NOTES OF SAFETY

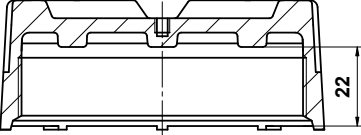
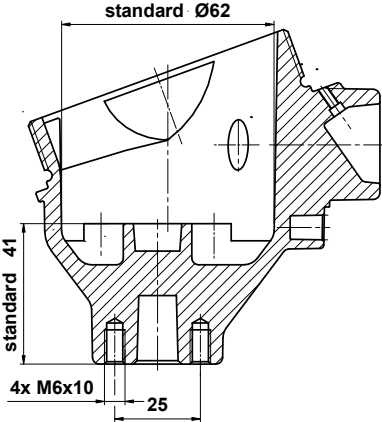
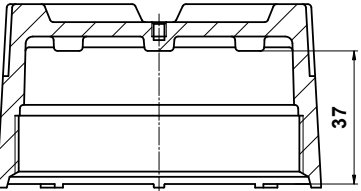
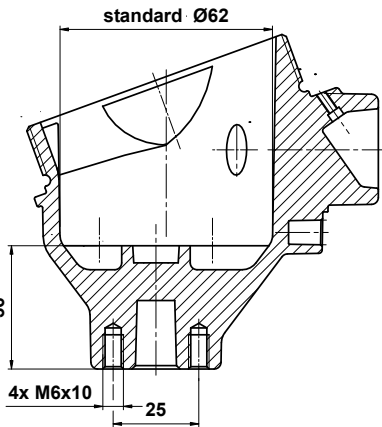
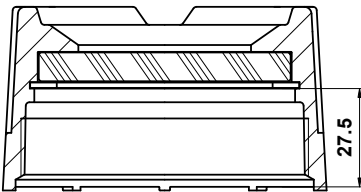
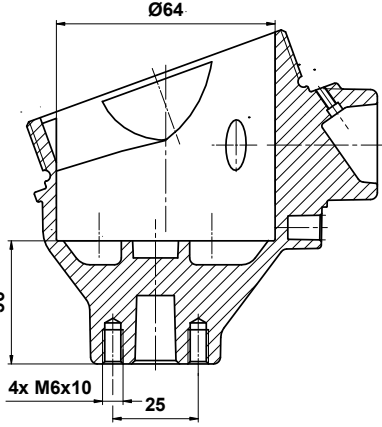
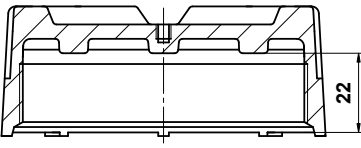
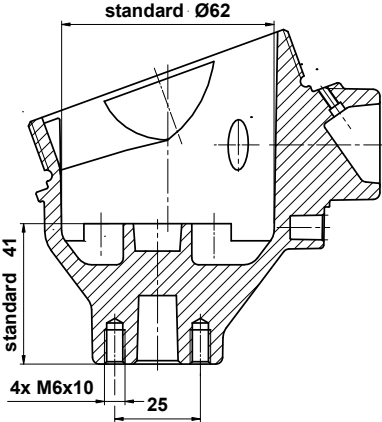
The **XD-A...** connection head, and **XD-A...F...** field transmitter housing are designed to accommodate various electronic instruments. If used incorrectly it is possible that application-related dangers may arise.

The **XD-A...** connection head and field transmitter housing may be used by qualified and authorized company and people only, under strict observance of these application manual and relevant standards, legal requirements, and, where appropriate the certificate

Only the empty XD-AD... connection head is certified. When used as part of an end product assembly, subsequent approval of the end use equipment assembly is required.

1. VARIETY, MARKS AND COVER - BODY FITING OF XD-A... Series

| Type of cover | Type of body | Typed of connetion head |
|-----------------------------------------------------------------------------------------------------------------------------------------------|-------------------------------------------------------------------------------------------------------------------------------------------|----------------------------------------------------------------------------------------------|
| <p>1</p>  <p>no letter mark, standard high, blind</p> | <p>A</p>  <p>AD - standard size</p> | <p>1 + A → XD-AD</p> <p>1 + B → XD-AH</p> <p>1 + C → XD-AB</p> |
| <p>2</p>  <p>H – higher, blind</p> | <p>B</p>  <p>AH - 5 mm deeper</p> | <p>2 + A → XD-ADH</p> <p>2 + B → XD-AHH</p> <p>2 + C → XD-ABH</p> |
| <p>3</p>  <p>win – window cover</p> | <p>C</p>  <p>AB - 5 mm deeper 2 mm wide</p> | <p>3 + A → XD-ADwin</p> <p>3 + B → XD-AHwin</p> <p>3 + C → XD-ABwin</p> |
| <p>4</p>  <p>EH – Endress+Hauser standard</p> | <p>A</p>  <p>AD - standard size</p> | <p>4 + A → XD-ADEH</p> <p>4 + B → XD-AHEH</p> <p>4 + C → XD-ABEH</p> |

| Type of cover | Type of body | Typed of connetion head |
|-----------------------------------------------------------------------------------------------------------------------------------------------|--------------------------------------------------------------------------------------------------------------------------------------------|----------------------------------------------------------------------------------------------------------------------|
| <p>1</p>  <p>no letter mark, standard high, blind</p> | <p>A</p>  <p>ADF - standard size</p> | <p>1 + A → XD-ADF</p> <p>1 + B → XD-AHF</p> <p>1 + C → XD-ABF</p> |
| <p>2</p>  <p>H – higher, blind</p> | <p>B</p>  <p>AHF - 5 mm deeper</p> | <p>2 + A → XD-ADFH</p> <p>2 + B → XD-AHFH</p> <p>2 + C → XD-ABFH</p> |
| <p>3</p>  <p>win – window cover</p> | <p>C</p>  <p>ABF - 5 mm deeper 2 mm wide</p> | <p>3 + A → XD-ADFwin</p> <p>3 + B → XD-AHFwin</p> <p>3 + C → XD-ABFwin</p> |
| <p>4</p>  <p>EH – Endress+Hauser standard</p> | <p>A</p>  <p>ADF - standard size</p> | <p>4 + A → XD-ADFEH</p> <p>4 + B → XD-AHFEH</p> <p>4 + C → XD-ABFEH</p> |

2. DESTINATION .

Connection heads **XD-A...** and field transmitter housing **XD-A...F...** are foreseen to accommodate head electronic transmitter, DIN spring loaded measuring inserts of temperature sensors and for working in hazardous areas :

Marking:

| CCC |
|-------------------------------|
| Ex db IIC Gb Ex tb IIIC Db |

Standards:

GB/T 3836.1-2021
 GB/T 3836.2-2021
 GB/T 3836.31-2021

Service temperature

| Connection head type | T _{serv} | | |
|----------------------|-------------------------------|-----------------------------|-------------------|
| | o-ring TPE rubber (oil-proof) | o-ring VQM rubber (silicon) | o-ring FKM rubber |
| XD-A... Series | -40 to +100 ° C | -50 to +150 ° C | -20 to +200 ° C |
| XD-A...win Series | -40 to +85 ° C | -50 to +85 ° C | -20 to +85 ° C |

Ambiente temperature

| | |
|------------------------------------------------------------------|----------------------------|
| The connection head shall be used for T _{amb} | |
| -50°C to +150°C without window | -50°C to +85°C with window |
| The field transmitter housing shall be used for T _{amb} | |
| -50°C to +60°C with and without window | |

Possible zone application

| Zone | Protection Code |
|------------------|-----------------|
| Zone 1 , Zone 21 | Ex d |
| Zone 2 , Zone 22 | Ex d |

3. FLAMEPROOF JOINTS .

There are three flameproof joints in XD-A... connection head :

1. on the cover thread **M80x1,5 6H**
2. **D₂, D₃** on the conduit openings for cable gland, threaded holes: M20x1.5, ½NPTmod, ¾NPTmod.
3. **D₁/d₁** on process opening for thermowell:
 - **d₁** cylindrical smooth standard hole ø6.1H8, ø8^{+0.1/+0.02}, ø8.1H8, ø9.6H8, ø10^{+0.1/+0.02}, ø10.1H7, ø12.1H7, ø12.8H7, ø15.1H7 for arrange flameproof joint with sensor measuring insert , **d₁** ø13 mm cylindrical smooth opening hole for sensor wires (non flameproof)
 - **d₁** cylindrical smooth hole ø6.1H8, ø6^{+0.04/-0.05}, ø8^{+0.1/+0.02}, ø8.1H8, ø9.6H8, ø10.1H7 in screw bush.
 - **d₁** M16x1.5 6H for creating flameproof joints with screw bush
 - **D₁** threaded holes: M20x1.5 , M24x1.5 , M27x2, ½NPTmod, ¾NPTmod, Rc½, Rc¾, BSPT½, BSPT¾.
 - **D₁** threaded holes: G½, G¾, G¾, BSPP½, BSPP¾, BSPP¾ (non flameproof)

All three flameproof joints are designed for :

- volume $100 < V \leq 500 \text{ cm}^3$
- group IIC enclosures

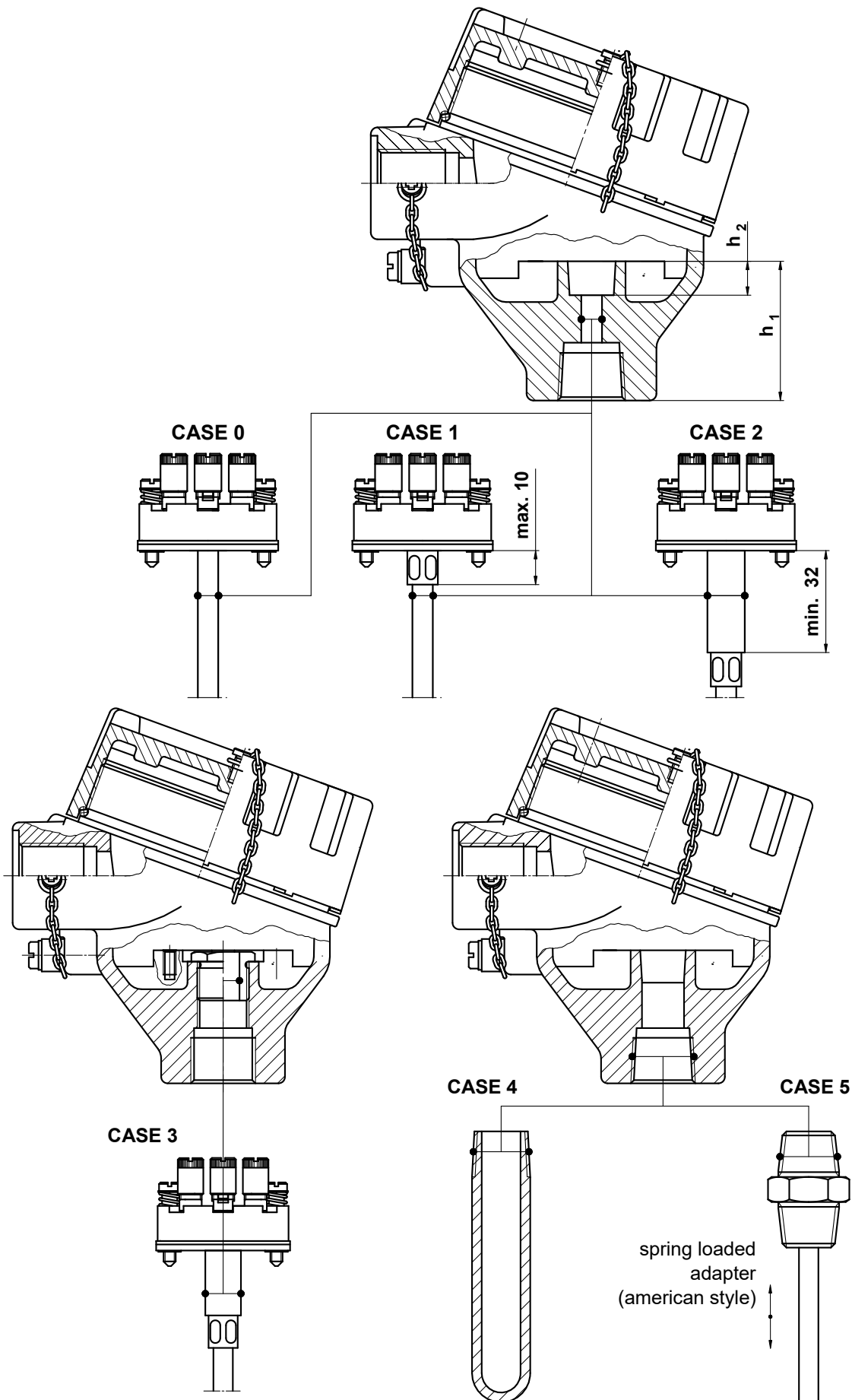
| Metric threaded joints: cover thread, D ₁ , D ₂ , D ₃ and screw bush | | |
|----------------------------------------------------------------------------------------------------------|--------------------------------------------------|----------------------------------------------------------|
| Standard EN 60079-1 requirements | Achieved value | |
| • pitch: ≥ 0.7 mm | cover | 1.5 mm |
| | D ₁ , D ₂ , D ₃ | 1.5 mm or 2 mm |
| • threads form and quality of fit: medium or fine tolerance quality according to ISO 965-1 and ISO 965-3 | cover | 6H / 6g |
| | D ₁ , D ₂ , D ₃ | 6H 6g of male thread should be ensured by customer |
| | d ₁ = M16x1,5 | 6H 6g of screw bush should be ensured by customer |
| • threads engaged: ≥ 5 | cover | 9.5 |
| | D ₁ , D ₂ , D ₃ | should be ensured by customer, possible to reach: 9 or 7 |
| | d ₁ = M16x1,5 | should be ensured by customer, possible to reach: 13 |
| • depth of engagement : ≥ 8 mm | cover | 14.5 mm |
| | D ₁ , D ₂ , D ₃ | should be ensured by customer, possible to reach: 14 mm |
| | d ₁ = M16x1,5 | should be ensured by customer, possible to reach: 20 mm |

| NPT Taper threaded joints: D₁ , D₂ , D₃ | |
|----------------------------------------------------------------------------------------------------------------------------------------------------|------------------------------------------------------|
| Standard EN 60079-1 requirements | Achieved value |
| <ul style="list-style-type: none"> • threads provided on each parts: ≥ 5 | 6.5 ÷ 7.5 male part should be ensured by customer |
| Standard Pipeline taper threads which meet above requirements must be modified. The way of modification is described in Annex for OIT-17/03 | |

| Rc, BSPT Taper threaded joint: D₁ | |
|---------------------------------------------------------------------------------------------------------|-----------------------------------------------------------------------------|
| Standard EN 60079-1 requirements | Achieved value |
| <ul style="list-style-type: none"> • threads provided on each parts: ≥ 5 | possible to reach: 8 full thread male part should be ensured by customer |

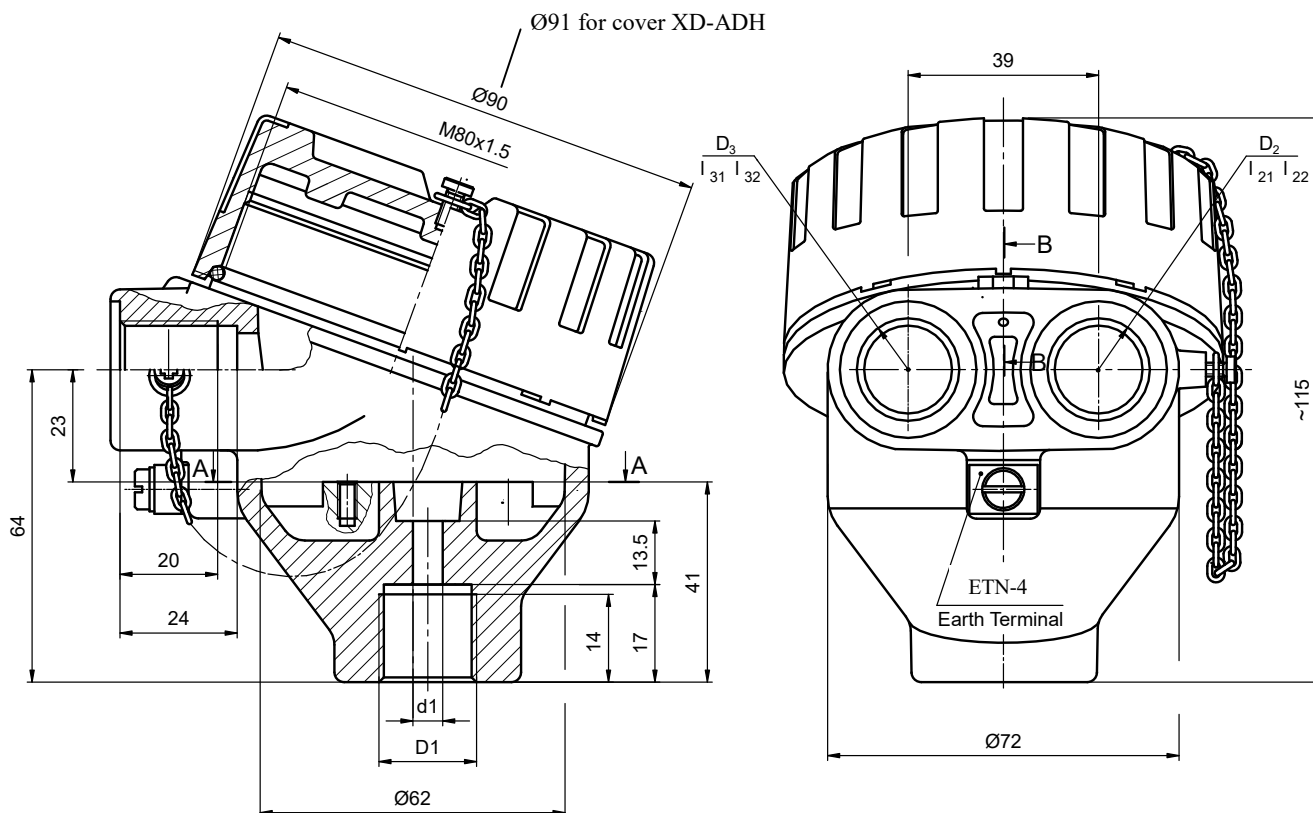
| Cylindrical joint: d₁ | |
|-------------------------------------------------------------------------------------|-------------------------------------------------------|
| Standard EN 60079-1 requirements | Achieved value |
| <ul style="list-style-type: none"> • Minimum width of joint: 12.5 mm | 13.5 mm |
| <ul style="list-style-type: none"> • Maximum gap: 0.15 mm | depend on OD sensor (bush) insert applied by customer |

4. FLAMEPROOF JOINTS ON D_1 / d_1 HOLES.



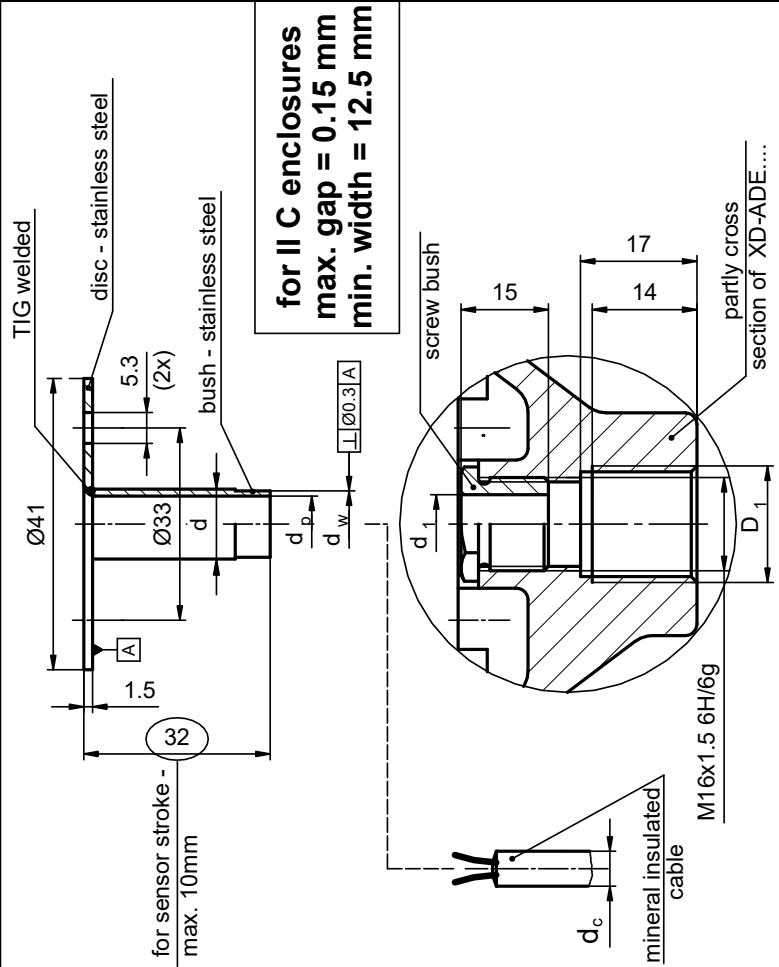
b). FLAMEPROOF JOINT IN THE PROCESS OPENING: D₁, d₁. FOR: XD-AD Series CONNECTION HEADS

Dimension of the thread D₁ and hole d₁ are given in the table below.



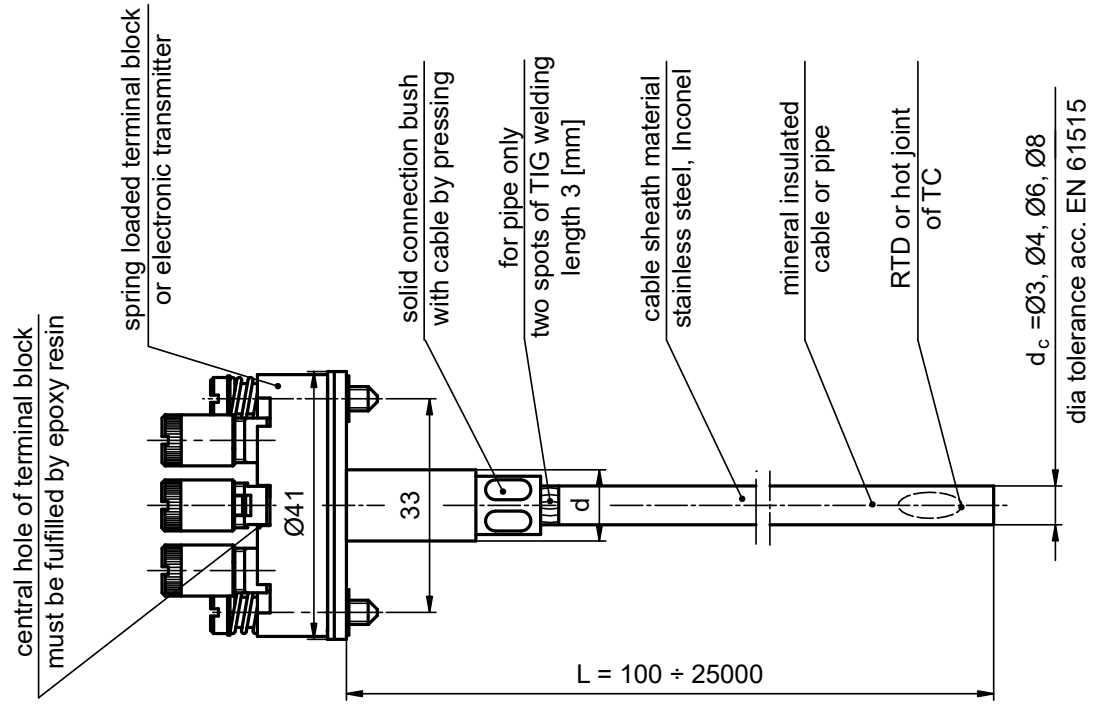
| B O D Y | | | |
|-------------------------------------------------------------------------------------------------------------|---------------------------------------------------------------------------------------------------------------------------------------------------------------------------------|--------------------------------------------------------------------------------------------------------------------------------------------------|----------------------------------------------------------------------------------------------------------------------------------------------------------------------------------|
| D₁ ([mm]) | Destination | d₁ ([mm]) | Destination |
| M20x1.5 M24x1.5 M27x2 ½NPT _{mod} ¾NPT _{mod} Rc½ Rc¾ BSPT ½ BSPT ¾ | all these threads are foreseen to create flameproof joint with male threads of at thermowells, or male thread of spring loaded adapter (american style) CASE 4, 5 | Ø 6.1 H8 Ø 8 ^{+0.1} / _{+0.02} Ø 8.1 H8 Ø 10 ^{+0.1} / _{+0.02} Ø 10.1 H7 Ø 12.1 H7 Ø 15.1 H7 | all these smooth hole are foreseen to create flameproof joint with suitable tolerated sheath of mineral insulated cable of spring loaded sensor (DIN style) CASE 2 |
| G½, G¾, G¾ BSPP½, BSPP¾, BSPP¾ and other on request | CASE 0, 1, 2 hole d1 must be flameproof (for arrange flameproof joint with sensor measuring insert) | Ø 13 and other on request | does not foresee to create flameproof joint – sensor wires opening only. CASE 4, 5 |

**DIMENSION OF ELEMENTS CREATING FLAMEPROOF JOINT
WITH HOLE d₁ OF XD-ADE... CONNECTION HEAD**



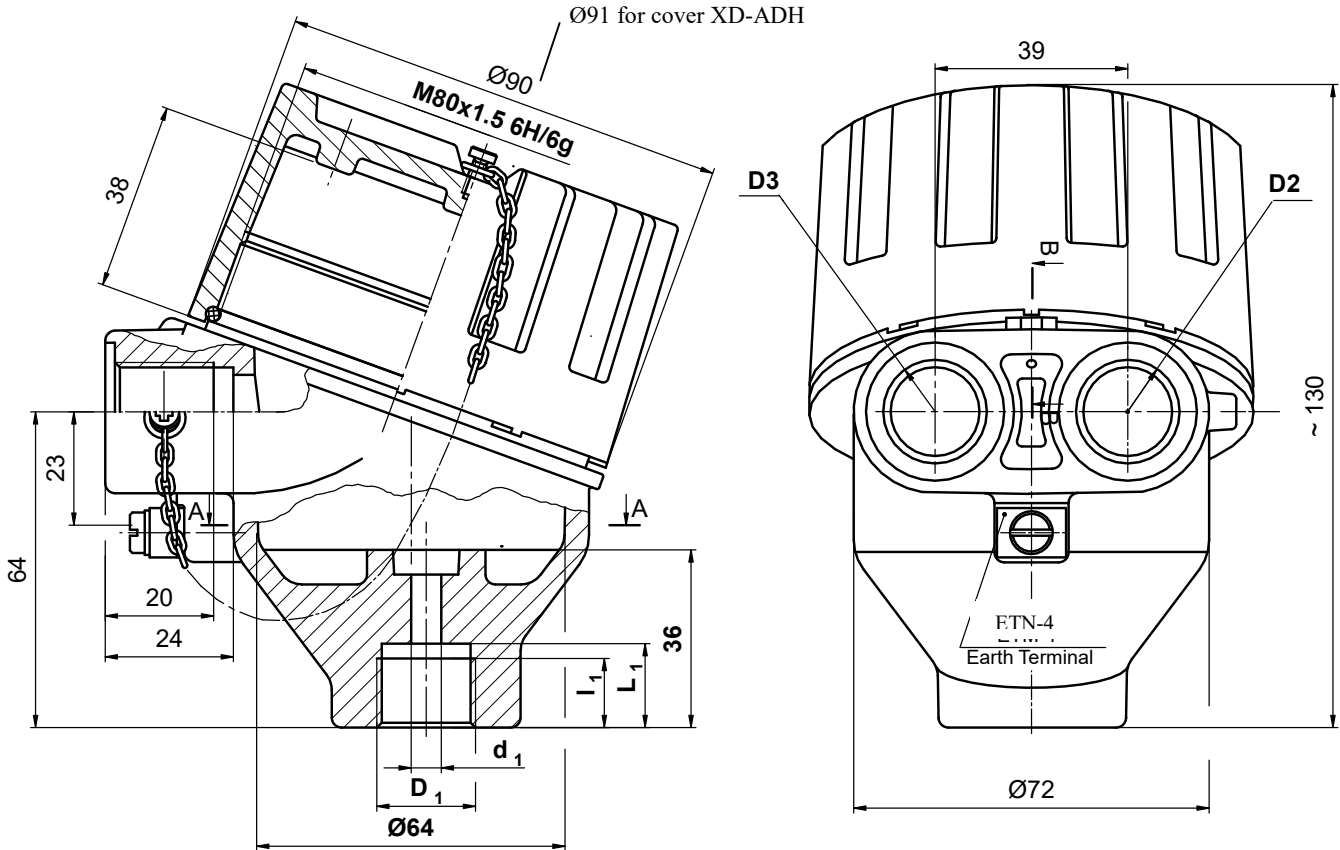
| Mineral insulated cable d _c [mm] | d ₁ [mm] | d [mm] | gap [mm] | d _p [mm] | d _w [mm] |
|---------------------------------------------|-------------------------------------------|----------------------------------------|--------------|------------------------|---------------------|
| Ø 3 | Ø 6.1H8 ^{+0.06} _{-0.02} | Ø 6 ^{+0.06} _{-0.05} | 0.04 - 0.142 | Ø 3.03 ^{+0.1} | Ø 4 |
| Ø 3 | Ø 6 ^{+0.04} _{-0.05} | Ø 6 ^{-0.05} _{-0.11} | 0.00 - 0.15 | | Ø 4.5 |
| Ø 4.5 | Ø 6.1H8 | Ø 6 ^{+0.06} _{-0.02} | 0.04 - 0.142 | Ø 4.54 ^{+0.1} | Ø 5.5 |
| Ø 6 | Ø 6 ^{+0.04} _{-0.05} | Ø 6 ^{-0.05} _{-0.11} | 0.00 - 0.15 | | - |
| Ø 6 | Ø 8 ^{+0.1} _{+0.02} | Ø 8 ^{-0.05} | 0.02 - 0.15 | Ø 6.06 ^{+0.1} | Ø 7.4 |
| Ø 6 | Ø 8.1H8 | Ø 8 ^{+0.06} _{-0.02} | 0.04 - 0.142 | Ø 6.06 ^{+0.1} | Ø 7.4 |
| Ø 8 | Ø 10 ^{+0.1} _{+0.02} | Ø 10 ^{-0.05} | 0.02 - 0.15 | Ø 8 ^{+0.1} | Ø 9.8 |
| Ø 8 | Ø 10.1H7 | Ø 10 ^{+0.06} _{-0.03} | 0.04 - 0.148 | Ø 8.08 ^{+0.1} | Ø 9.8 |

SENSOR DIMENSIONS - SPRING LOADED



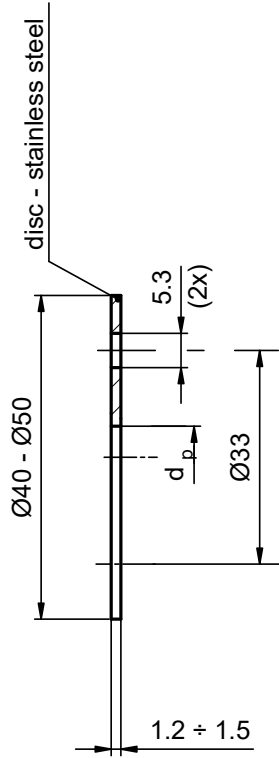
**d). FLAMEPROOF JOINT IN THE PROCESS OPENING: D₁, d₁ FOR:
 XD-AH..., XD-AB Series CONNECTION HEADS**

Dimension of the thread D₁ and hole d₁ are given in the table below.

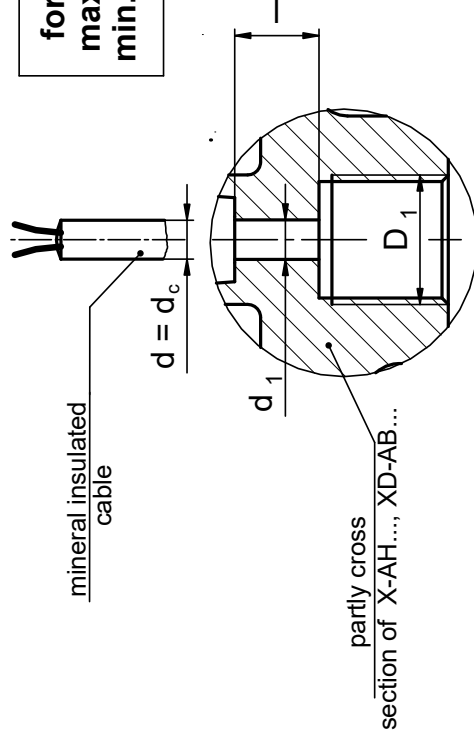


| B O D Y | | | |
|-------------------------------------------------------------------------------------------------------------|---------------------------------------------------------------------------------------------------------------------------------------------------------------------------------|---------------------------------------------------------------------------------------------------------------------------------------------|----------------------------------------------------------------------------------------------------------------------------------------------------------------------------------|
| D₁ ([mm]) | Destination | d₁ ([mm]) | Destination |
| M20x1.5 M24x1.5 M27x2 ½NPT _{mod} ¾NPT _{mod} Rc½ Rc¾ BSPT ½ BSPT ¾ | all these threads are foreseen to create flameproof joint with male threads of at thermowells, or male thread of spring loaded adapter (american style) CASE 4, 5 | Ø 6.1 H8 Ø 8 ^{+0.1} _{+0.02} Ø 8.1 H8 Ø 9.6 H8 Ø 10 ^{+0.1} _{+0.02} Ø 10.1 H7 Ø 12.8 H7 | all these smooth hole are foreseen to create flameproof joint with suitable tolerated sheath of mineral insulated cable of spring loaded sensor (DIN style) CASE 0 |
| G½, G¾, G¾ BSPP½, BSPP¾, BSPP¾ and other on request | CASE 0, 1, 2 hole d1 must be flameproof (for arrange flameproof joint with sensor measuring insert) | Ø 13 and other on request | Does not foresee to create flameproof joint – sensor wires opening only. CASE 4, 5 |

DIMENSION OF ELEMENTS CREATING FLAMEPROOF JOINT WITH HOLE d_1 OF XD-AH..., XD-AB... CONNECTION HEAD

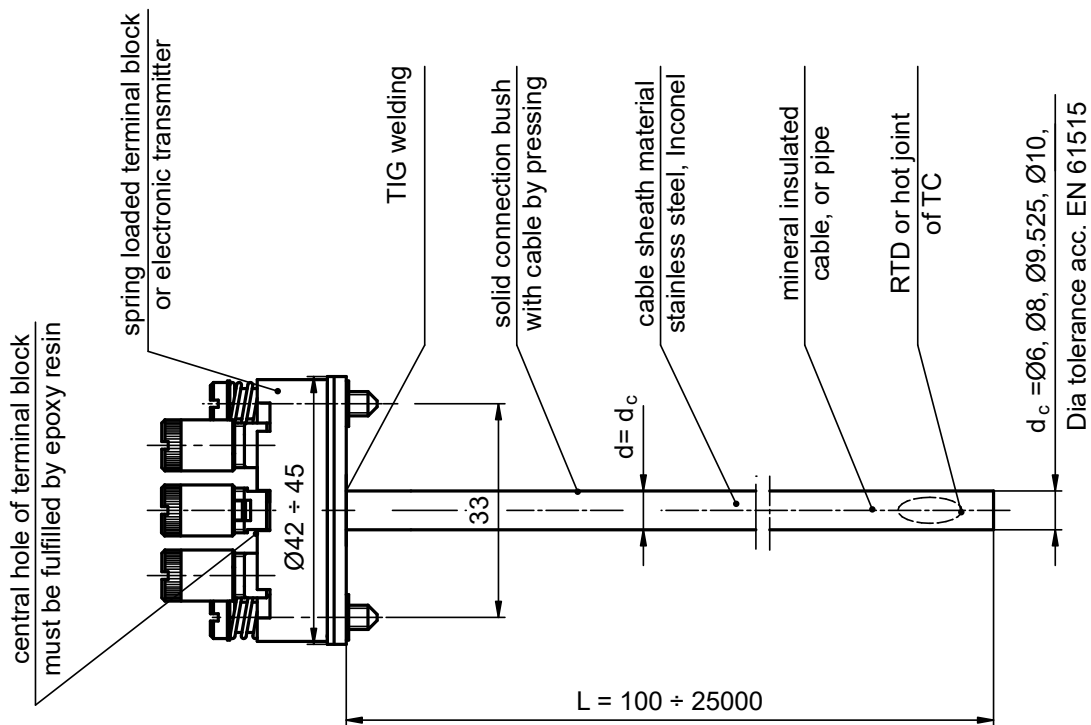


**for II C enclosures
max. gap = 0.15 mm
min. width = 12.5 mm**



| Mineral insulated cable $d = d_c$ [mm] | d_1 [mm] | gap [mm] | c_p [mm] |
|----------------------------------------|-------------------------------|---------------|--------------------------|
| $\text{Ø } 6^{+0.06}_{-0.02}$ | $\text{Ø } 6.1\text{H}8$ | 0.04 - 0.142 | $\text{Ø } 6.06^{+0.1}$ |
| $\text{Ø } 8_{-0.05}$ | $\text{Ø } 8^{+0.1}_{+0.02}$ | 0.02 - 0.15 | $\text{Ø } 8.06^{+0.1}$ |
| $\text{Ø } 8^{+0.06}_{-0.02}$ | $\text{Ø } 8.1\text{H}8$ | 0.04 - 0.142 | $\text{Ø } 8.06^{+0.1}$ |
| $\text{Ø } 9.525^{+0.03}_{-0.045}$ | $\text{Ø } 9.6\text{H}8$ | 0.045 - 0.142 | $\text{Ø } 9.56^{+0.1}$ |
| $\text{Ø } 10_{-0.05}$ | $\text{Ø } 10^{+0.1}_{+0.02}$ | 0.02 - 0.15 | $\text{Ø } 10.06^{+0.1}$ |
| $\text{Ø } 10^{+0.06}_{-0.03}$ | $\text{Ø } 10.1\text{H}7$ | 0.04 - 0.148 | $\text{Ø } 10.06^{+0.1}$ |

SENSOR DIMENSIONS - SPRING LOADED



5. CARRIED OUT TESTS

a). FOR NON TRANSMISSION OF AN INTERNAL IGNITION

| | Process holes | CASE | EN 60079-1 p. 15.2.2.1 test |
|----------------------|------------------------------------------------------------------------------------------------------------------------------------------------------------------------------------------------|----------------|-------------------------------------------------------------------------------------------------------------------------------------|
| d₁ | process holes in the body Ø 6.1 H8 Ø 8.1 H8 Ø 9.6 H8 Ø 10.1 H7 | 0, 1, 2 | Case * |
| | Ø 12.8 H7 Ø 15.1 H7 | 2 | |
| | Ø 13 other on request | 4, 5 | does not foreseen to create flameproof joint |
| | process holes in the screw bush Ø 6 ^{+0.04} _{-0.05} Ø 6.1 H8 Ø 8 ^{+0.1} _{+0.02} Ø 8.1 H8 Ø 10 ^{+0.1} _{+0.02} Ø 10.1 H7 | 3 | Case * |
| | M16x1.5 | - | is foreseen to create flameproof joint with screw bush, or without screwed bush. Bush screw can be used as opening for sensor wires |
| D₁ | M20x1.5 M24x1.5 M27x2 ½NPT _{mod} ¾NPT _{mod} Rc½ Rc¾ BSPT ½ BSPT ¾ | 4, 5 | Case ** |
| | G½, G¾, G¾ BSPP½, BSPP¾, BSPP¾ and other on request | 0, 1, 2 | Case *** |

* in this case thread D₁ and its connection need not be flameproof (for arrange flameproof joint with sensor measuring insert),

** in this case hole d₁ need not be flameproof,

*** in this case hole d₁ must be flameproof (for arrange flameproof joint with sensor measuring insert) . Flameproof possible only for gas.

For Ex tb - dust (for thread D₁) require certification of the complete equipment.

mod = modified to meet standards: EN 60079-1, IEC 60079-1, FM 3615, CSA C22.2 No. 0.5,

! Attention !

If other dimension d_1 will be made, or d_1 hole is not used to create flameproof joint, sensor assembler must submit complete device design to notify body for estimating design and eventually for conducting additional tests.

In case of resign d_1 hole to build flameproof joint , D_1 thread and fixed to it threaded male part must create flameproof joint.
 Diameter d_1 hole can be changed on request.

In field transmitter housing XD-A...F, XD-A...F_{win} holes D_1 , d_1 are closed .

b). OVERPRESSURE TEST

According to EN 60079-1

It was carried out tests:

- 4 times reference pressure
- at maximum water pressure 65 bar no routine test is require when reference pressure of final assembly (XD-A... with additional volume come from thermowells, conduit, pipe, etc.) is not higher than 16,25 bar.

6. CONDUIT OPENINGS: D_2 , D_3

Connection head is adopted to be equipped with various certificated Ex d explosionproof: cable glands, fill sealing fittings or flexible couplings.

7. TEMPERATURE CLASSES, AMBIENT TEMPERATURE, MAX. POWER DISSIPATION

| Maximum power dissipation [W] | | | | |
|-------------------------------|----------------------------------------------|-------------------------------------------------------------------------|-----------------------------------------------|-------------------------------------------------------------------------|
| T_{amb} | Temp. class T6, or surface temp. 85° C | For all variety of enclosures Position horizontally/vertically | Temp. class T5, or surface temp. 100° C | For all variety of enclosures Position horizontally/vertically |
| 40°C | $\Delta 0 \leq 40$ K | 13.5 / 10.0 | $\Delta 0 \leq 55$ K | 18.5 / 15.5 |
| 55°C | $\Delta 0 \leq 25$ K | 7.5 / 6.0 | $\Delta 0 \leq 40$ K | 13.5 / 10.0 |
| 70°C | $\Delta 0 \leq 10$ K | 2.8 / 1.9 | $\Delta 0 \leq 25$ K | 7.5 / 6.0 |
| 85°C | N/A | - | $\Delta 0 \leq 10$ K | 2.8 / 1.9 |

8. EARTH AND PROTECTION TERMINALS

These terminals can be connected with both solid wire and stranded wire cables as shown in the table below .

| Place | Type | Cable cross section [mm ²] | |
|---------|---------------------|-----------------------------------------|------------|
| | | stranded wire | solid wire |
| Inside | Protection terminal | 1.5 | 2.5 * |
| Outside | Earth terminal | 4.0 | 6.0 |

* Due to the thickness of the wire used, for XD-AD0 variant requires the use of a suitable (dedicated) wire terminal - connector.

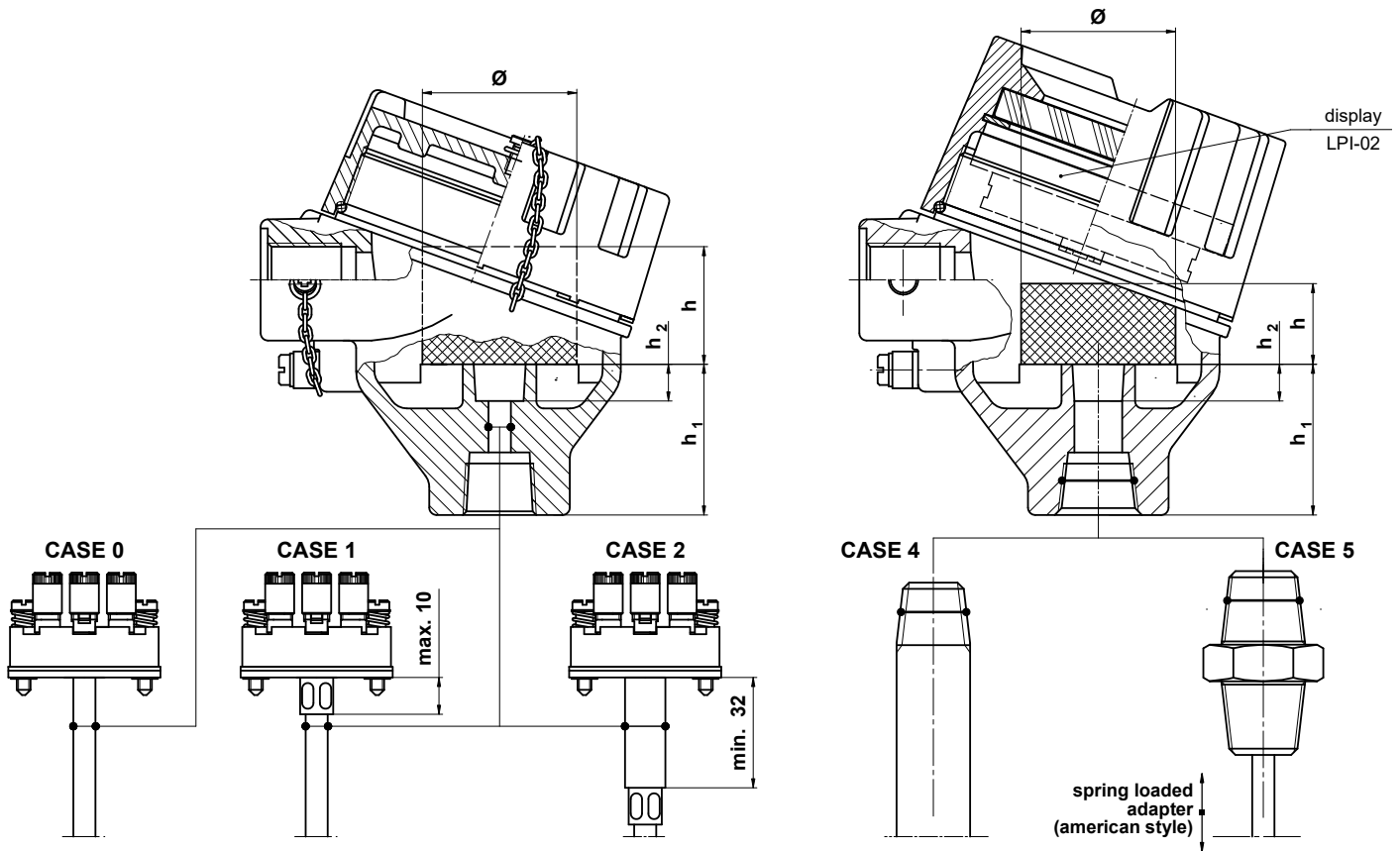
9. SIZE OF THE INTERNAL SPACE OF XD-A... Series CONNECTION HEAD WITHOUT THE REGARD OF THE AXIAL MOVEMENT 8mm OF THE MEASURING INSERT.

DIMENSION IN [mm]

| TYPE | Standard dim. of transmitter $\phi \times h$ | Max. dim. of transmitter $\phi \times h$ | h_1 | h_2 | CASE OF APPLICATION |
|------------------------|-------------------------------------------------|---------------------------------------------|-------|-------|---------------------|
| XD-AD | 42 x 42 | 58 x 35 | 41 | 10 | 0, 1, 2, 4, 5 |
| XD-AH | 42 x 47 | 58 x 40 | 36 | 5 | 0, 2, 4, 5 |
| XD-AB | 42 x 47 | 60 x 39 | 36 | 5 | 0, 2, 4, 5 |
| XD-ADH | 42 x 55 | 58 x 48 | 41 | 10 | 0, 1, 2, 4, 5 |
| XD-AHH | 42 x 60 | 58 x 53 | 36 | 5 | 0, 2, 4, 5 |
| XD-ABH | 42 x 60 | 60 x 52 | 36 | 5 | 0, 2, 4, 5 |
| XD-ADdia ¹⁾ | 42 x 30 | 58 x 23 | 41 | 10 | 0, 1, 2, 4, 5 |
| XD-ADdig ²⁾ | 42 x 21 | 58 x 14 | 41 | 10 | 0, 1, 2, 4, 5 |
| XD-ADEH | 42 x 42 | 58 x 35 | 41 | 10 | 0, 1, 2, 4, 5 |
| XD-AHEH | 42 x 47 | 58 x 40 | 36 | 5 | 0, 2, 4, 5 |
| XD-ABEH | 42 x 47 | 60 x 39 | 36 | 5 | 0, 2, 4, 5 |

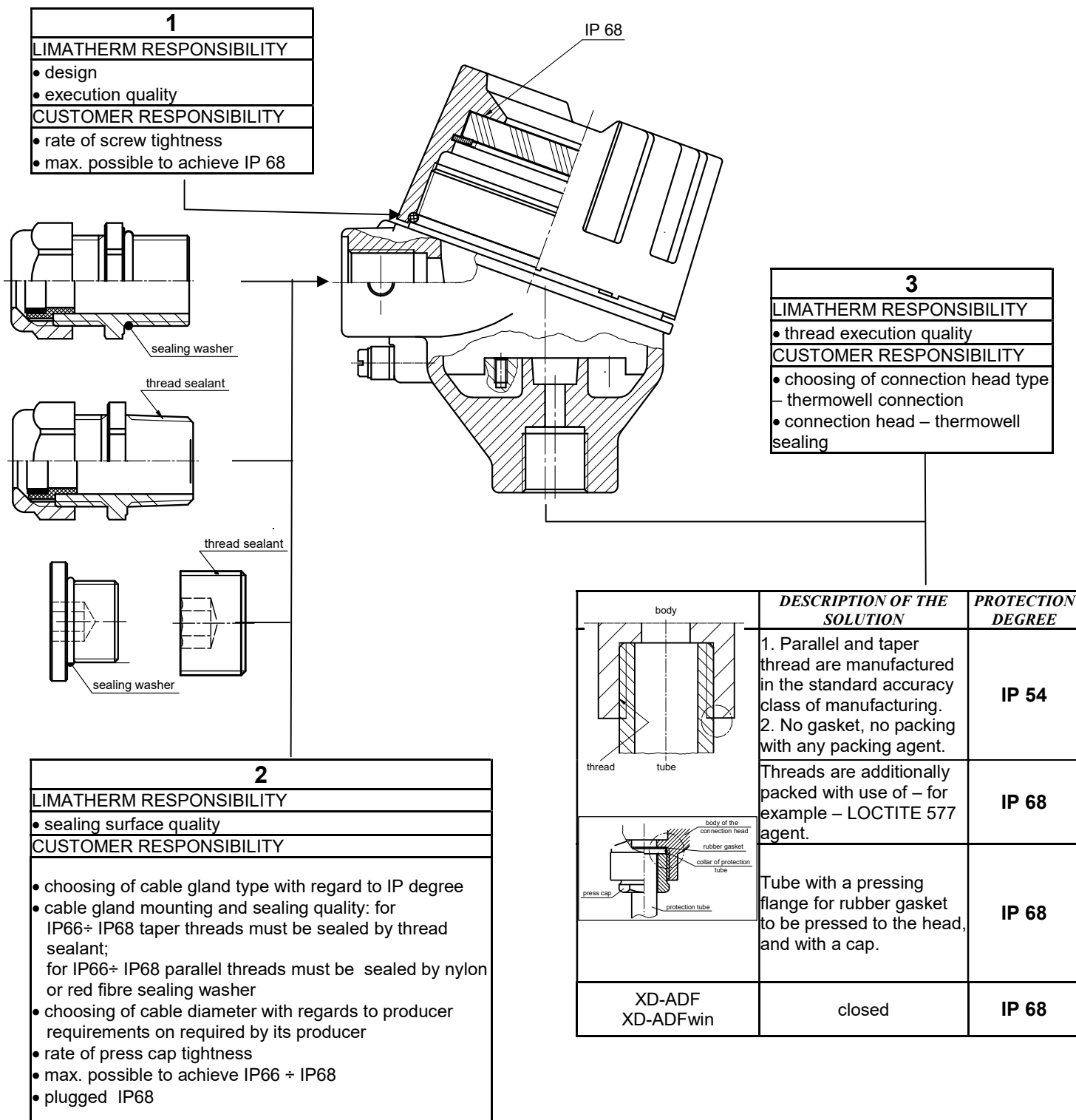
1) XD-A...win + loop powered indicator ST0028

2) XD-A...win + loop powered indicator LPI-02



10. PROTECTION DEGREE.

There are three places which decide of IP degree.



| Protection degree for elements | | | Total protection degree Possible to achieve |
|--------------------------------|-------|-------|------------------------------------------------|
| 1 | 2 | 3 | |
| IP 68 | IP 66 | IP 54 | IP 54 |
| IP 68 | IP 66 | IP 68 | IP 66 |
| IP 68 | IP 67 | IP 68 | IP 67 |
| IP 68 | IP 68 | IP 68 | IP 68 |

! ATTENTION !

Protection IP68 refers to depth 1,0m of submersion under water.

It is required min IP65 protection for instruments designed for dust zones.

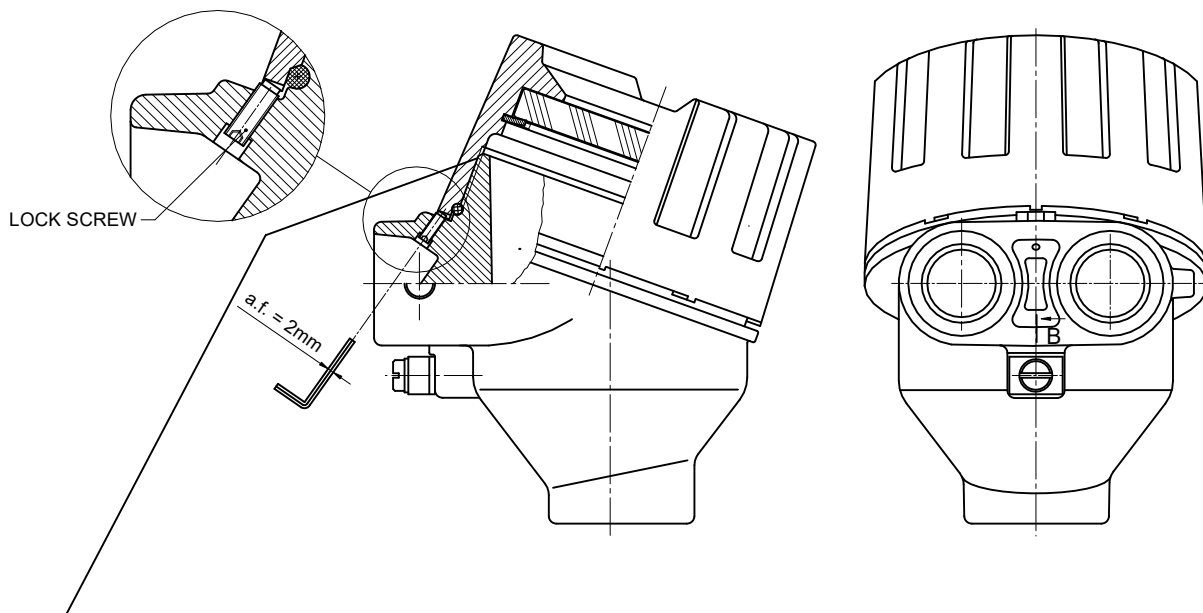
(Besides zone 22, non-conductive dust, where min IP54 protection is required)

11. COVER LOCKING.

It is important to be carefull when screw on or undo a cover. Thread surface should be free of any grains, pellets and other impurity, which cause seizing, and thread could be damaged.

! Never screw on the cover forcefully !

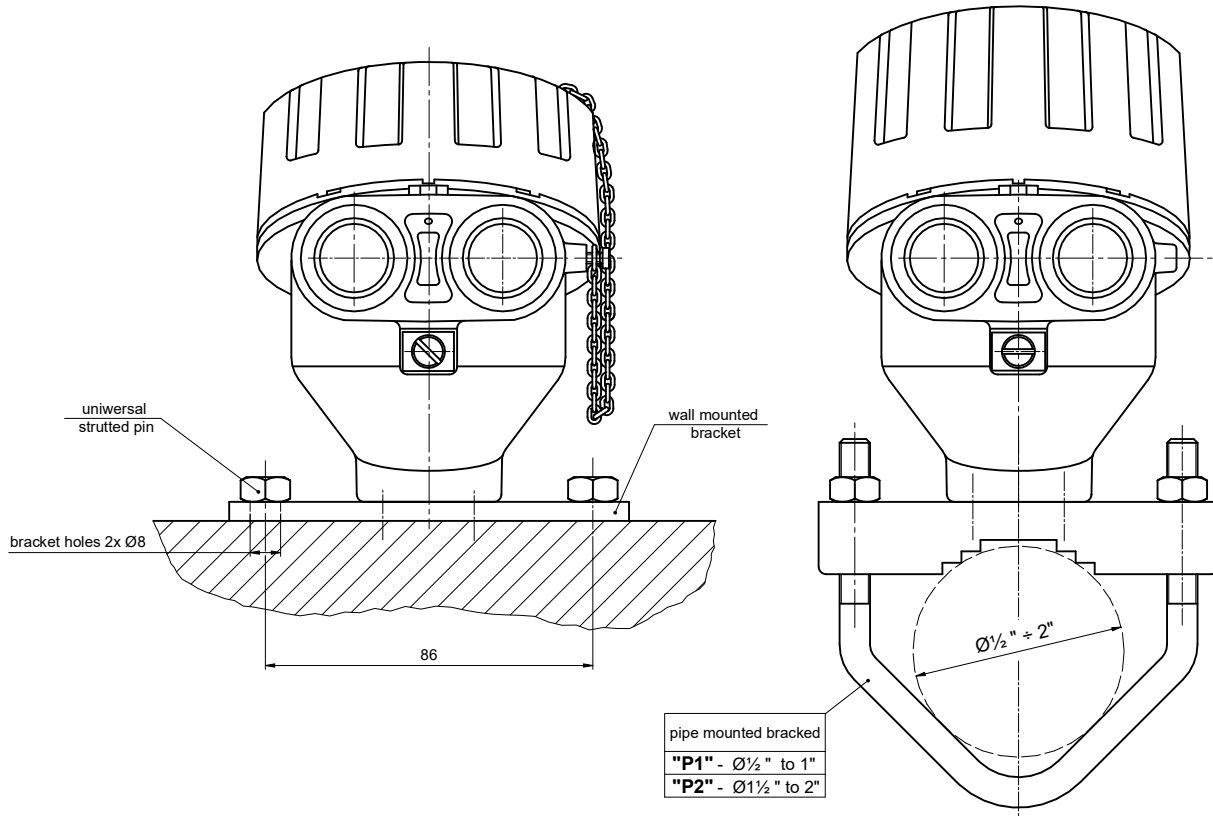
Cover is locked by screw with hex socked using hex spanner with across flat 2mm. This screw is situated in cavity between two conduit openings' bosses.



Note:

In case of necessities of opening of the connection head's cover after operation her in maximum temperature of 200°C it can be blocked (does not give to open with the hand). In such case keep cover tensioned with the hand to opening and hit delicate with rubber hammer into cover.

12. WAY OF FIXING FIELD TRANSMITTER HOUSING TO THE WALL AND THE PIPE.



13. MARKING.

According to standards:

- GB/T 3836.1-2021
- GB/T 3836.2-2021
- GB/T 3836.31-2021

Example of marking of the XD-A...is as follow:

Plastic labels

LIMATHERM COMPONENTS, 41-506 CHORZÓW POLAND

壳体

Ex db IIC Gb; Ex tb IIIC Db;

型号 : XD-AD



Places for labels

